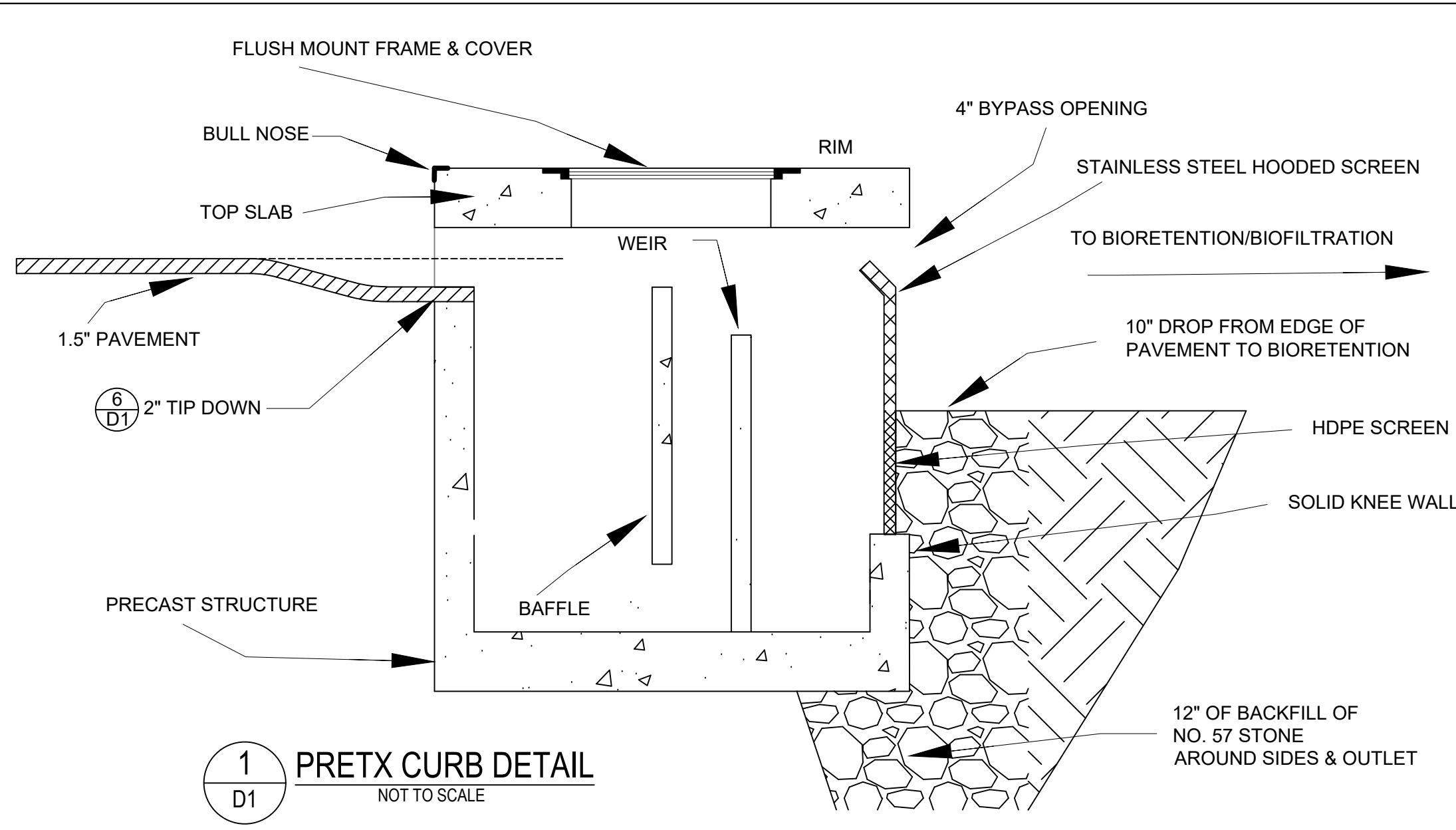
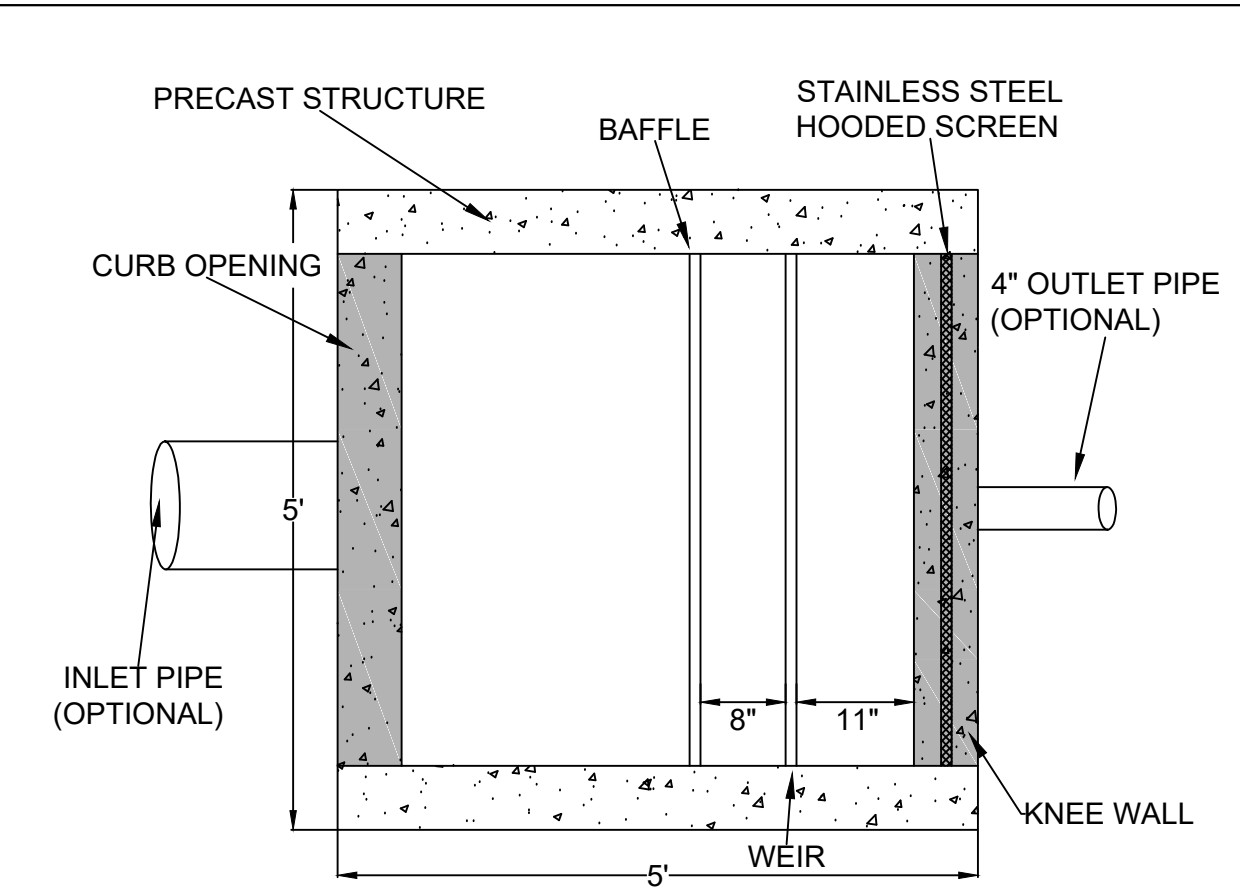


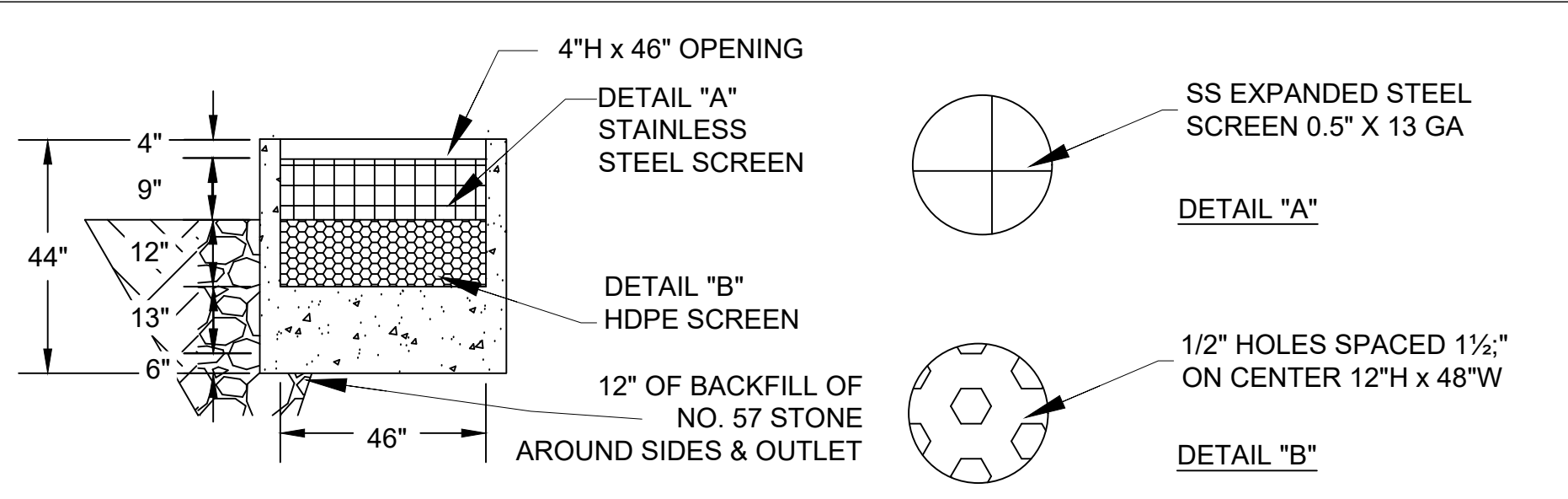
- PRETX SPECIFICATIONS**
- A. GENERAL**
- PRETX SYSTEMS ARE A PRE-FILTER AND CRITICAL MAINTENANCE DEVICE THAT EXTENDS THE OPERATING LIFE AND REDUCES THE MAINTENANCE BURDEN OF BIORETENTION SYSTEMS, RAIN GARDENS, BIOSWALES AND OTHER TYPES OF SURFACE BEST MANAGEMENT PRACTICES BY FILTERING OUT SEDIMENT, TRASH AND DEBRIS AT THE INLET.
- B. PRODUCTS**
- PRETX IS AVAILABLE IN 3 MODELS THAT MANAGE MOST BIOTRETENTION INLET CONFIGURATIONS: CURB, DROP, AND INLINE.
  - PRETX-CURB IS FOR EDGE OF PAVEMENT RUNOFF AT A CURB CUT IN LIEU OF A STONE SPREADER.
  - PRETX-DROP IS FOR USE AS A DROP INLET CONFIGURATION ALONG A CURB LINE AND WOULD BE INSTALLED WITH A STANDARD DROP INLET GRATE.
  - PRETX-INLINE IS FOR USE WITH SUBSURFACE INLET AND OUTLET PIPE.
  - PRETX IS SIZED TO PRETREAT WATER QUALITY FLOWS AND BYPASS LARGER FLOWS THAT HAVE MINIMAL TRASH AND DEBRIS. PRETX CAN BE USED BOTH IN RETROFIT OR NEW INSTALLATIONS.
  - ACCEPTABLE SYSTEM SUPPLIER:  
CONVERGENT WATER TECHNOLOGIES, INC. OR ITS AUTHORIZED VALUE-ADDED RESELLER  
(800) 711-5428  
WWW.CONVERGENTWATER.COM
- C. SUBMITTALS**
- SUBMIT PROPOSED LAYOUT DRAWINGS. DRAWINGS SHALL INCLUDE TYPICAL SECTION DETAILS ANNOTED WITH SYSTEM ELEVATIONS (E.G., RIM, PIPE INVERTS, OUTSIDE BOTTOM OF STRUCTURE, ETC.).
  - SUBMIT MATERIAL CERTIFICATES FOR FRAMES AND COVERS.
  - ANY PROPOSED EQUAL ALTERNATE PRODUCT SUBSTITUTION TO THIS SPECIFICATION MUST BE SUBMITTED FOR REVIEW AND APPROVED PRIOR TO BID OPENING.
- D. EXECUTION**
- ALL PUBLIC STORM DRAINAGE SYSTEMS SHALL BE CONSTRUCTED IN ACCORDANCE WITH THE LATEST EDITION OF THE STATE DEPARTMENT OF TRANSPORTATION STANDARDS AND SPECIFICATIONS AND ACCORDING TO LOCAL MUNICIPAL REQUIREMENTS.
  - ALL STORM DRAINAGE SYSTEM CONSTRUCTION IS SUBJECT TO INSPECTION AND APPROVAL BY THE PROJECT ENGINEER.
  - THE CONTRACTOR SHALL NOTIFY THE PROJECT ENGINEER A MINIMUM OF TWO FULL BUSINESS DAYS PRIOR TO THE START OF CONSTRUCTION.
  - THE CONTRACTOR SHALL BE RESPONSIBLE FOR CONTACTING AND OBTAINING APPROVAL FROM DIG-SAFE AND DETERMINING THE LOCATION OF ALL UNDERGROUND UTILITIES PRIOR TO THE START OF CONSTRUCTION/EXCAVATION AND SHALL NOTIFY THE PROJECT ENGINEER OF ANY POTENTIAL CONFLICTS.
  - TO PROTECT STORMWATER FLOW CONTROL AND QUALITY TREATMENT FACILITIES FROM SEDIMENTATION, THEY SHALL BE CONNECTED TO THE STORM CONVEYANCE SYSTEM ONLY AFTER ALL SITE WORK, ROAD CONSTRUCTION, UTILITY WORK AND LANDSCAPING ARE IN PLACE IN ALL AREAS ABOVE AND UPSTREAM OF THE FACILITY.
  - THE EXISTING STORM SEWER SYSTEM SHALL STAY ISOLATED FROM THE NEW SYSTEM UNTIL THE NEW SYSTEM IS CLEANED, AND APPROVED FOR USE. THERE SHALL BE NO DEBRIS IN THE LINES OR FURTHER CLEANING WILL BE REQUIRED PRIOR TO ACCEPTANCE.
  - PROVIDE A 1.5" MINIMUM GAP BETWEEN THE KNOCKOUT WALL AND THE OUTSIDE OF THE PIPE. AFTER THE PIPE IS INSTALLED, FILL THE GAP WITH JOINT MORTAR.
  - THE OPENING SHALL BE MEASURED AT THE TOP OF THE PRECAST BASE SECTION.
  - ALL PICKUP HOLES SHALL BE GROUTED FULL AFTER THE BASIN HAS BEEN PLACED.
  - STANDARD CURB INLETS AND TIPDOWNS SHALL BE PRECAST CONCRETE OR ASPHALT.
  - PIPE ENDS SHALL BE FLUSH WITH THE INNER WALL OR 1" MAXIMUM INTRUSION. MASONRY, CINDER BLOCKS, OR SIMILAR MATERIALS MAY BE USED TO ADJUST THE RISERS TO GRADE PRIOR TO GROUTING.
  - GROUTING SHALL BE SUFFICIENT TO PREVENT LEAKS BETWEEN THE PRECAST COMPONENTS OF THE COMPLETED STRUCTURE & SHALL BE PERFORMED INSIDE, BETWEEN & OUTSIDE OF ALL RISERS, JOINTS & PIPE PENETRATIONS.
  - MANHOLES TO BE CONSTRUCTED IN ACCORDANCE WITH ASHTO M-199 UNLESS OTHERWISE SHOWN ON PLANS OR NOTED IN THE STANDARD SPECIFICATIONS.
  - ALL REINFORCED CAST IN PLACE CONCRETE SHALL BE CLASS 4000. ALL PRECAST CONCRETE SHALL BE CLASS 4000.
  - RECAST BASES SHALL BE FURNISHED WITH CUTOUTS OR KNOCKOUTS. KNOCKOUTS SHALL HAVE A WALL THICKNESS OF 2" MINIMUM.
  - MATING SURFACES OF MANHOLE RINGS AND COVERS SHALL BE FINISHED TO ASSURE NON-ROCKING FIT WITH ANY COVER POSITIONS.
- E. CONSTRUCTION AND SEQUENCING**
- EXAMINATION
    - VERIFY LAYOUT AND ORIENTATION OF PRETX SYSTEM AREA INCLUDING EDGE OF PAVEMENT, TIP DOWN, CURBS AND SIDEWALK, BIOFILTRATION SYSTEM, AND CONNECTIONS.
  - PREPARATION
    - CALL DIG SAFE AND RECEIVE APPROVAL BEFORE PERFORMING WORK.
    - REQUEST UNDERGROUND UTILITIES TO BE LOCATED AND MARKED WITHIN AND SURROUNDING CONSTRUCTION AREAS.
    - IDENTIFY REQUIRED LINES, LEVELS, CONTOURS, AND DATUM.
    - CLEAR AND GRUB THE PROPOSED PRETX SYSTEM AREA.
  - EXCAVATION AND INSTALLATION
    - THE FOLLOWING CONSTRUCTION SEQUENCE IS TO BE USED AS A GENERAL GUIDELINE. COORDINATE WITH THE OWNER, AND ENGINEERS FOR REVIEW AND APPROVAL PRIOR TO CONSTRUCTION.
    - INSTALL TEMPORARY EROSION AND SEDIMENT CONTROLS TO DIVERT STORM WATER AWAY FROM THE PRETX SYSTEM AREA.
    - EXCAVATE TO THE BOTTOM INVERT OF THE SYSTEM.
    - TO MINIMIZE COMPACTION OF ADJACENT BIOFILTRATION SYSTEMS, WORK EXCAVATORS OR BACKHOES FROM THE SIDES TO EXCAVATE THE PRETX SYSTEM AREA TO ITS APPROPRIATE DESIGN DEPTH AND DIMENSIONS.
    - ROUGH GRADE THE PRETX SYSTEM AREA DURING GENERAL CONSTRUCTION. EXCAVATE THE PRETX SYSTEM FACILITIES TO WITHIN 1 FOOT OF STRUCTURE BOTTOM.
    - PLACE 1 FOOT BED OF COARSE STONE TO ELEVATION OF BASE OF STRUCTURE.
    - ESTABLISH ELEVATIONS FOR ADJACENT CURBS, EDGE OF PAVEMENT AND TIP DOWN, SIDEWALK, PIPE INVERTS FOR INLETS AND OUTLETS AS INDICATED ON DRAWINGS.
  - INSTALLATION
    - PLACE THE PRECAST SYSTEM TO NECESSARY ELEVATION.
    - VERIFY ELEVATIONS FOR ADJACENT CURBS, EDGE OF PAVEMENT, PAVEMENT GRADING FOR INLET GRATE FOR PRETX-DROP, SIDEWALK, PIPE INVERTS FOR INLETS AND OUTLETS, OUTLET INVERT FOR KNEE WALL.
  - FOR PRETX-SURFACE:
    - VERIFY ELEVATIONS FOR ADJACENT CURBS.
    - VERIFY EDGE OF PAVEMENT TIP DOWN PAVEMENT GRADING FOR INLET GRATE.
    - VERIFY CURB ELEVATION IN RELATION TO PAVEMENT AND TIP DOWN.
    - VERIFY OUTLET INVERT FOR KNEE WALL IN RELATION TO FILTER MEDIA.
  - FOR PRETX-DROP:
    - VERIFY ALL INLET PIPES ENTER THE STRUCTURE UPSTREAM OF BAFFLE.
    - VERIFY FRAME AND GRATE OFFSET ON INLET SIDE AND UPSTREAM OF BAFFLE.
    - VERIFY CURB LOCATION WITH RESPECT TO FRAME AND GRATE ORIENTATION.
  - INSTALL BAFFLES, WEIR, AND SCREENS AS INDICATED ON DRAWINGS.
  - VERIFY MAINTENANCE ACCESS THROUGH GRATE OR COVER AND CLEARANCE FOR VACTOR.
  - INSTALL TOP OF STRUCTURE LEVEL WITH ADJACENT CURB OR SIDEWALK AS PER MANUFACTURERS SPECIFICATIONS. ENGINEER FIELD VISIT REQUIRED PRIOR TO BACKFILLING.
- 5. BACKFILLING**
- BACKFILL WITH APPROVED SOIL AND STONE TO THE DESIGN GRADE AS SPECIFIED IN THE DRAWINGS.
  - BACKFILL WITH 12" OF NO. 57 STONE AROUND REAR, LEFT, AND RIGHT SIDES TO LEVEL WITH TOP OF HDPE SCREEN.
  - BACKFILL WITH BIOTRETENTION SOIL MIX BEYOND STONE BACKFILL TO EQUAL ELEVATION OF THE TOP OF HDPE SCREEN.
  - DO NOT BACKFILL SOIL OR STONE AGAINST STAINLESS SCREEN.
  - DO NOT COMPACT ADJACENT FILTRATION SYSTEM SOIL WITH MECHANICAL EQUIPMENT.
  - STABILIZE ALL REMAINING DISTURBED AREAS AND SIDE SLOPES WITH SEEDING, HYDROSEEDING, AND/OR EROSION CONTROL BLANKETS AS INDICATED ON DRAWINGS.
- 6. CLEAN UP**
- AFTER COMPLETION OF THE WORK, REMOVE AND PROPERLY DISPOSE ALL DEBRIS, CONSTRUCTION MATERIALS, RUBBISH, EXCESS SOIL, ETC., FROM THE PROJECT SITE. REPAIR PROMPTLY ANY IDENTIFIED DEFICIENCIES AND LEAVE THE PROJECT SITE IN A CLEAN AND SATISFACTORY CONDITION.



**1 PRETX CURB DETAIL**  
NOT TO SCALE

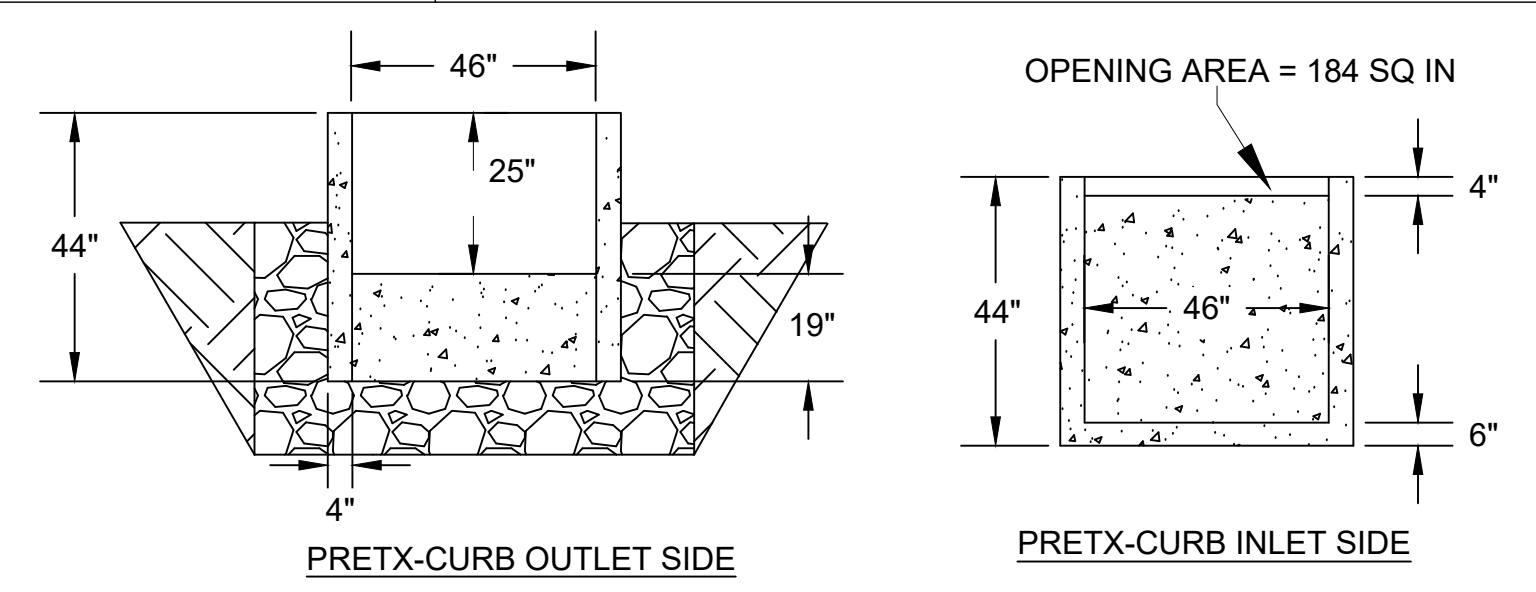


**2 PRETREATMENT CATCH BASIN**  
PLAN VIEW  
NOT TO SCALE

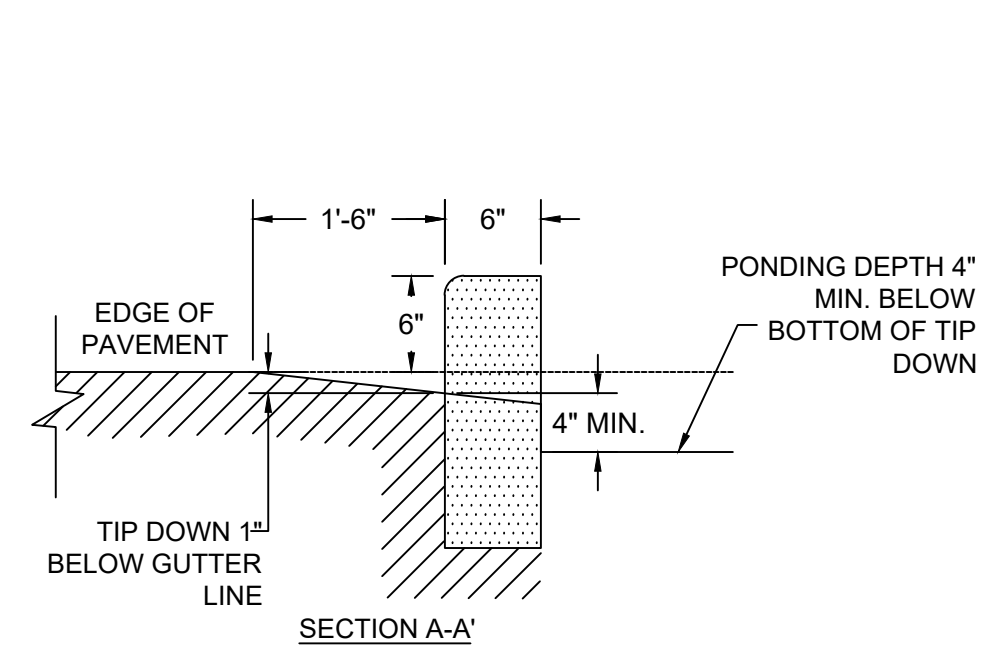


**3 PRETX CURB OUTLET SIDE**  
NOT TO SCALE

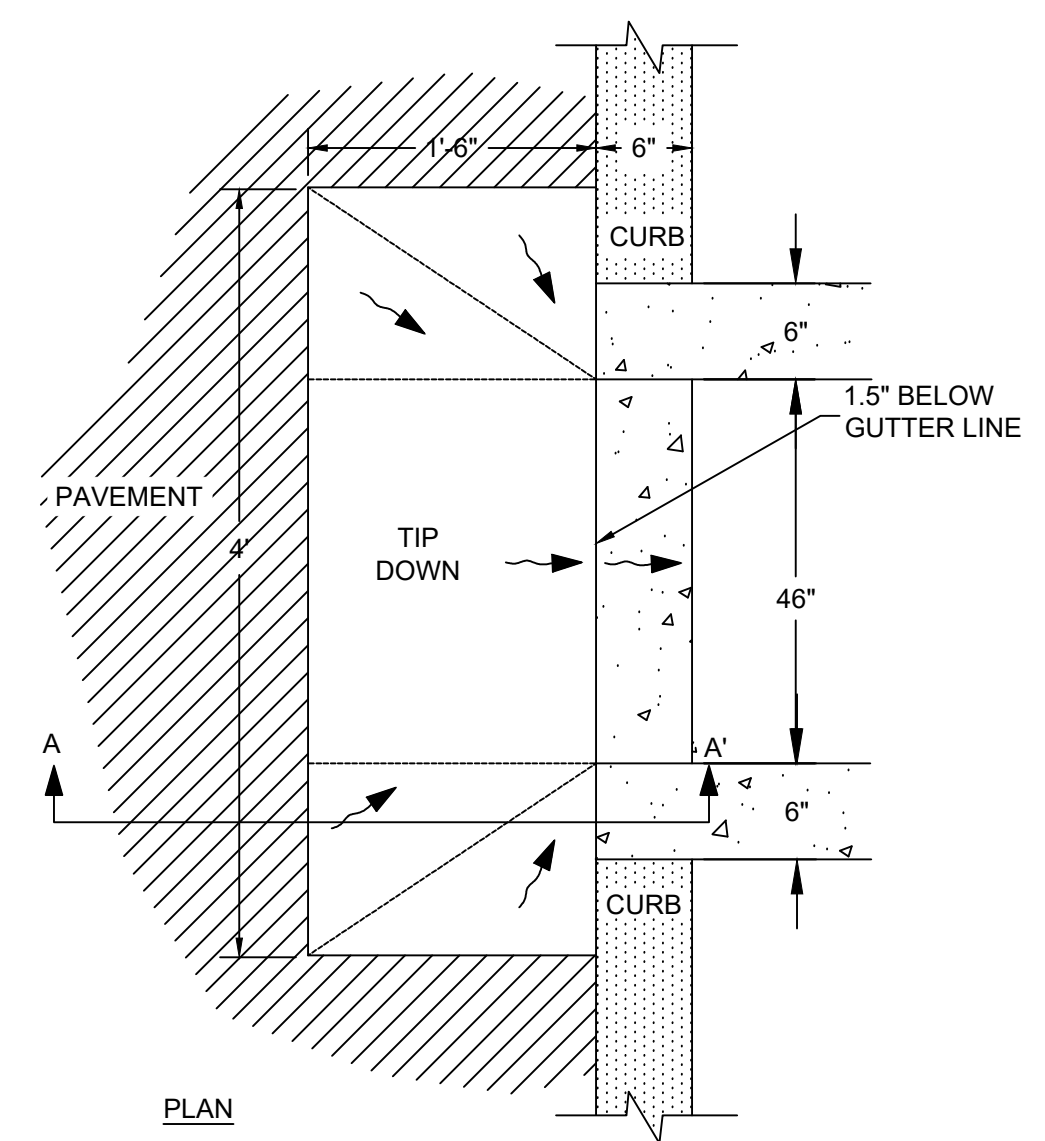
OUTLET SIDE INSTALLED W/ SCREENS



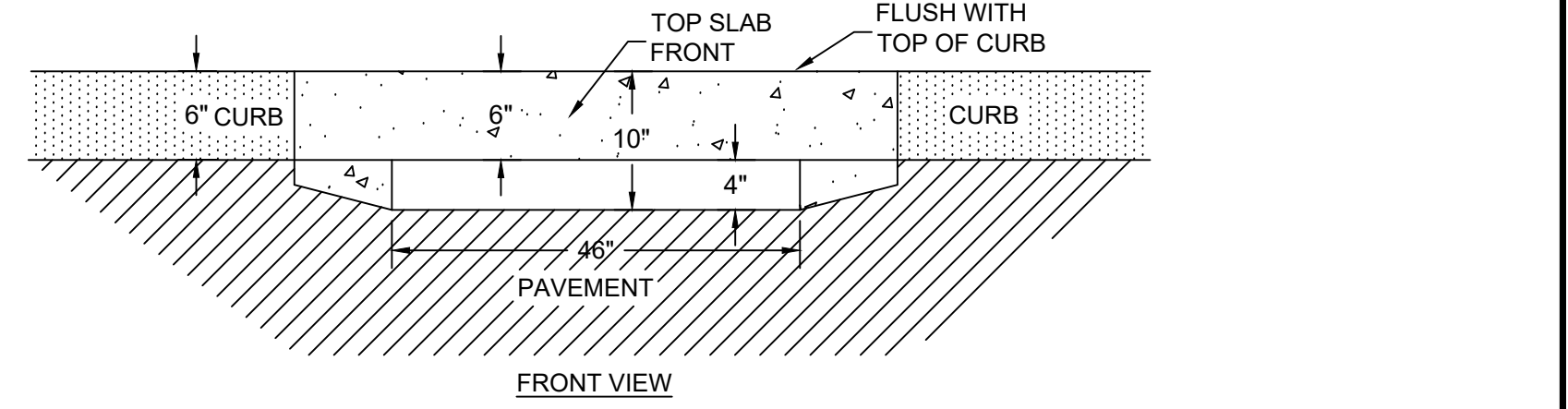
**4 PRETX CURB SIDE DETAIL**  
NOT TO SCALE



**5 TIP DOWN CURB INLET DETAIL**  
NOT TO SCALE



**6 ELEVATION GUIDE**  
NOT TO SCALE



**7 PRETX CURB OUTLET TO BIOTRETENTION**  
CONFIGURATION  
NOT TO SCALE

PRETX-CURB ELEVATION GUIDE		
POINT	DESCRIPTION	HEIGHT IN REFERENCE TO PT. A
A	EDGE OF PAVEMENT	0 INCHES
B	OUTSIDE TOP SLAB	8 INCHES
C	TOP OF BIOTRETENTION	12 INCHES
D	SUMP INVERT	36 INCHES
E	OUTSIDE BOTTOM	42 INCHES

**D-1 PRETX™ CURB INLET PRETREATMENT DETAIL**

TO FIND A VALUE ADDED RESELLER IN YOUR AREA VISIT  
WWW.CONVERGENTWATER.COM/STORMWATER-PRODUCTS  
OR CONTACT CONVERGENT WATER TECHNOLOGIES AT  
1.800.711.5428



REVISED: 11/20/18; ELEVATION DETAILS ADDED; CHECKED BY: RR