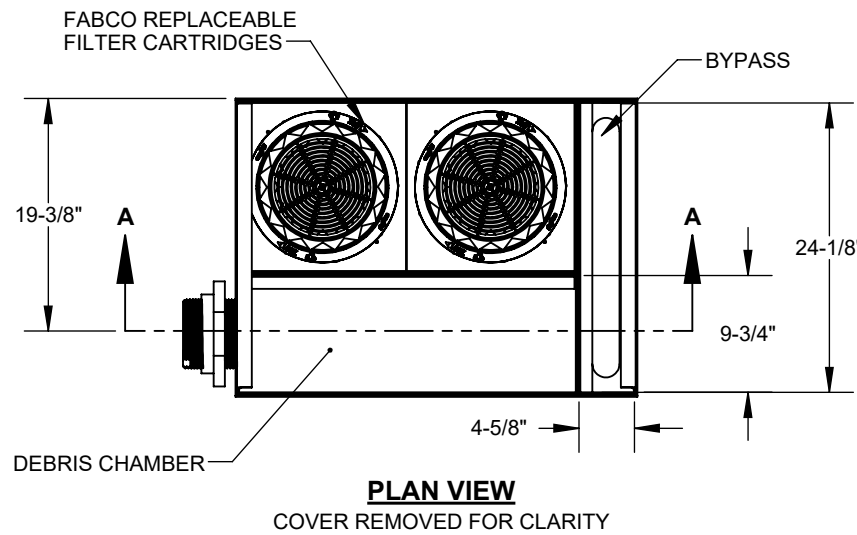


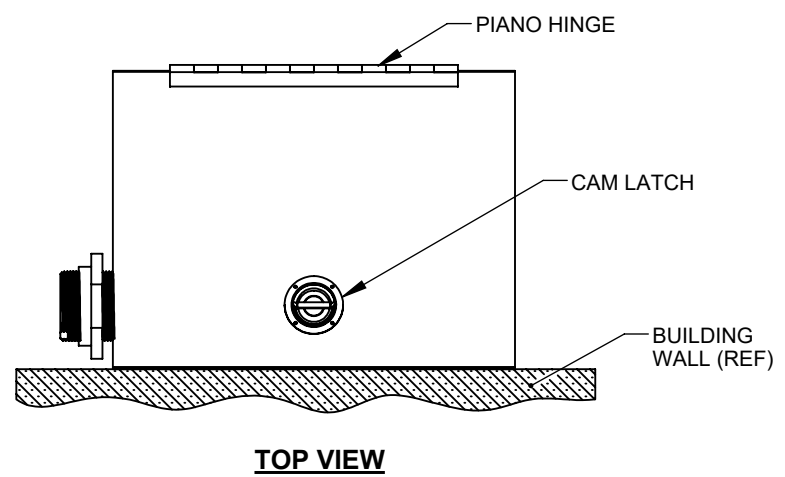
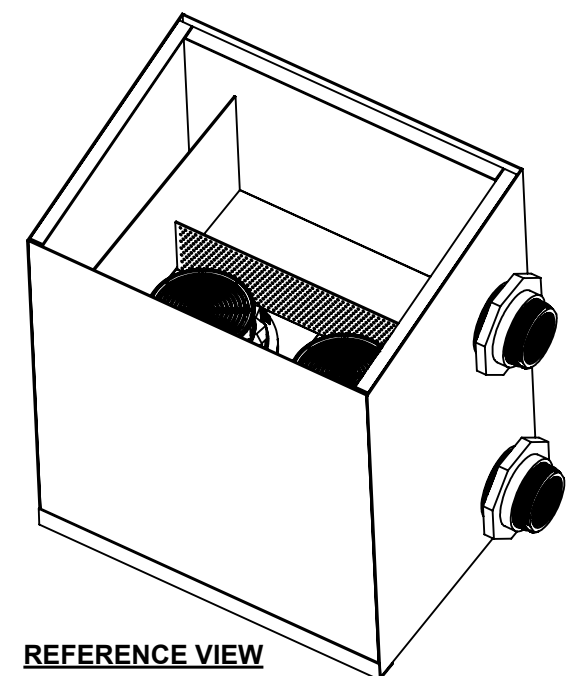
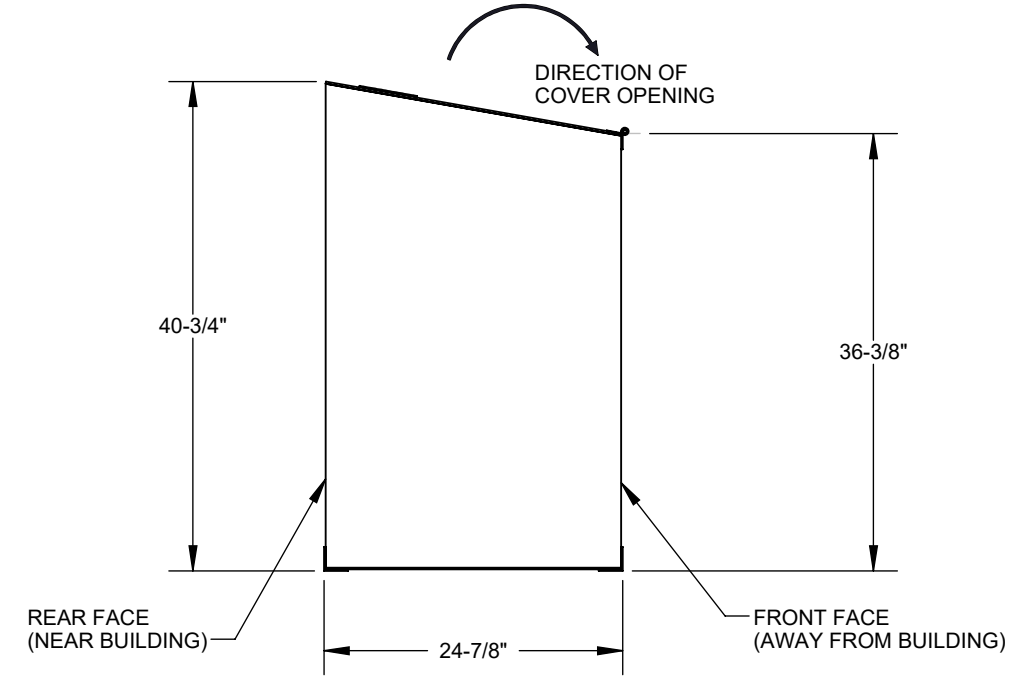
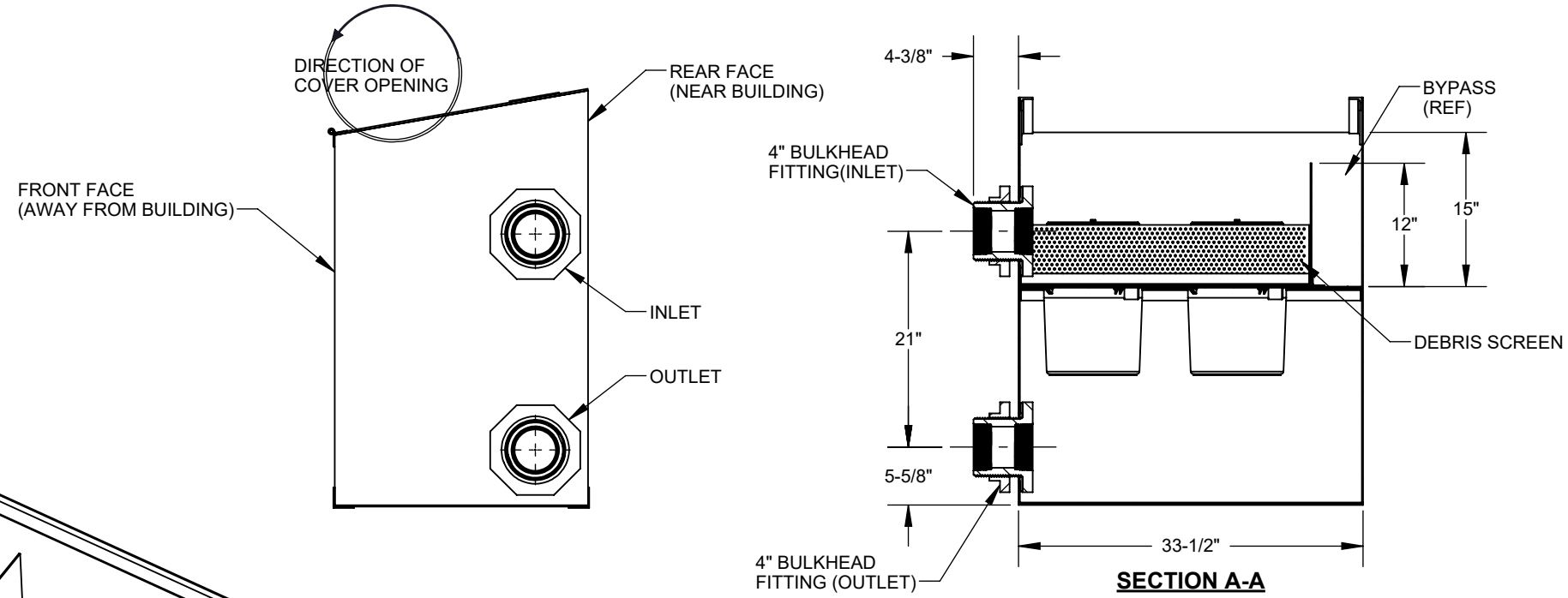
NOTES:

- WEIGHT (APPROX):
  - EMPTY W/CARTRIDGES: 200-LB MAX
  - FULL OF WATER: 1500-LB MAX
- MATERIAL:
  - FILTER HOUSING AND COVER: STAINLESS STEEL, 300 SERIES
  - CARTRIDGE PLATE: STAINLESS STEEL, 300 SERIES
  - SUPPORT HARDWARE: CRES 300 SERIES OR EQUAL
- PERFORMANCE CHARACTERISTICS (TYP):
  - DEBRIS CAPACITY: 5.0 CU-FT
  - FILTERED FLOW RATE:
 

SEE TABLE 1 FOR CARTRIDGE FLOW RATES. NOTE THAT THIS UNIT CONTAINS TWO (2) CARTRIDGES.
  - BYPASS FLOW RATE: 460 GPM (1.0 CFS)
- TYPICAL INSTALLATION: CUT DOWNSPOUT PIPE AND CONNECT THE 4" INLET AND OUTLET PIPES AS REQUIRED TO REDIRECT RAIN FLOW THROUGH THE FILTER BOX.
- USE ONLY WITH FABCO REPLACEABLE MEDIA CARTRIDGES.
- ALL TANK DIMENSIONS ARE REFERENCE.



PART NUMBER	DESCRIPTION	COLOR CODE	FLOW RATE (TYP)
9718-1	STANDARD	RED	115 GPM (0.26 CFS)
9718-2	BACTERIA	YELLOW	115 GPM (0.26 CFS)
9718-3	HYDROCARBONS	BLUE	115 GPM (0.26 CFS)
9718-4	HEAVY METALS	GREY	60 GPM (0.13 CFS)
9718-5	STANDARD (SHORT)	MINT	115 GPM (0.26 CFS)
9718-6	NUTRIENTS	GREEN	100 GPM (0.22 CFS)
9718-7	HIGH FLOW	RED (MARKED)	260 GPM (0.58 CFS)
9718-15	B.N.H.	GREEN	100 GPM (0.22 CFS)



**PROPRIETARY AND CONFIDENTIAL**  
THIS DOCUMENT IS THE PROPERTY OF FABCO INDUSTRIES AND IS CONVEYED WITH THE EXPRESS CONDITION THAT IT AND THE INFORMATION CONTAINED IN IT ARE NOT TO BE USED, DISCLOSED, OR REPRODUCED IN WHOLE OR IN PART, FOR ANY PURPOSE WITHOUT THE EXPRESS WRITTEN CONSENT OF FABCO INDUSTRIES; AND THAT NO RIGHT IS GRANTED TO DISCLOSE OR SO USE ANY INFORMATION CONTAINED IN SAID DOCUMENT.

UNLESS OTHERWISE SPECIFIED  
REMOVE ALL BURRS  
BREAK SHARP EDGES .002 - .020  
FILLETS .020 MAX  
DIMENSIONS ARE IN INCHES AND INCLUDE CHEMICALLY APPLIED OR PLATED FINISHES

TOLERANCES:  
DEC .00 ± .01  
DEC .000 ± .005  
FRACT ± 1/16  
ANGLE ± 2°

PROJECT: SEE NOTES  
MATERIAL: SEE NOTES

APPROVAL	DATE
DWN MS	11/7/16
ENGR JP	11/7/16
UPD	

FABCO INDUSTRIES, INC.  
24 CENTRAL DRIVE  
FARMINGDALE, NY 11735  
WWW.FABCO-INDUSTRIES.COM

**fabco**  
industries inc.

TITLE: **DOWNSPOUT FILTER 2C  
STAINLESS STEEL**

SIZE DWG. NO. **B 10080-6-000** REV **A**

SCALE: NONE SHEET 1 OF 1