

Type C Flange

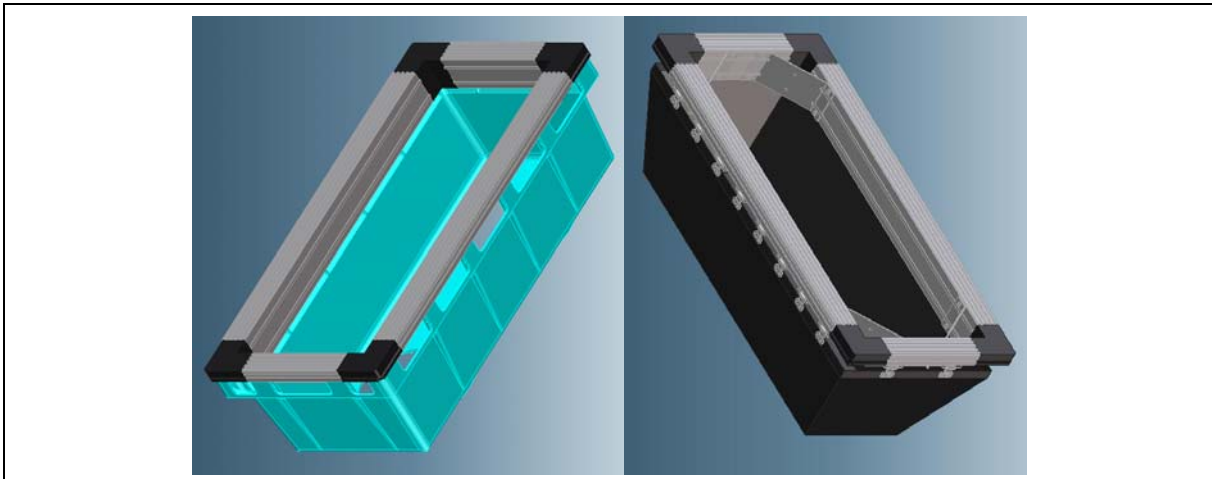
StormBasin StormSack

Installation Instructions for Flat Grate Inlets

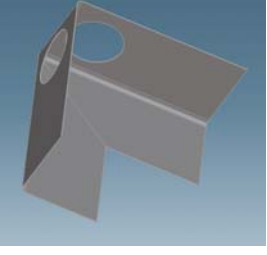
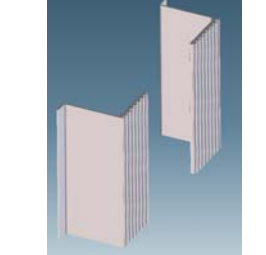
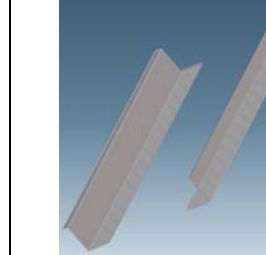

Fabco Industries, Inc. • 66 Central Ave. Farmingdale, NY 11735 • (631) 393-6024

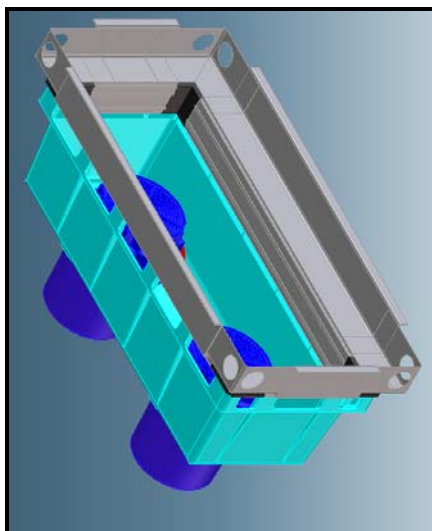
www.fabco-industries.com

Item Checklist:

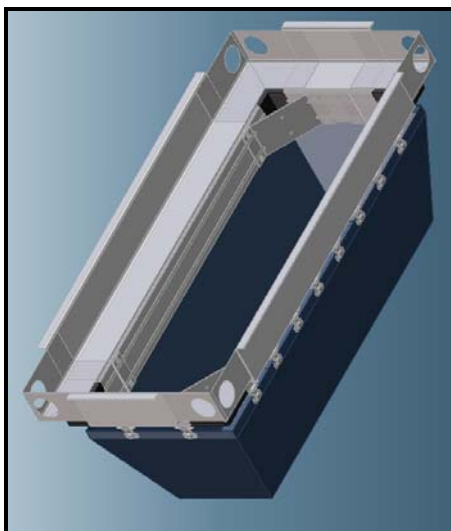


(x1) Frame w/ Attached Basin OR Frame & StormSack

			
(x4) Aluminum Corner Fillers	(x2) Drop Flange, Short	(x2) Drop Flange, Long	(x8) Hex-Head Tek Screws



StormBasin, Type C Flange
(Assembled)



StormSack, Type C Flange
(Assembled)

Installation Instructions for StormBasin & StormSack Type C Configuration

1

Remove the catch basin cover using a backhoe or ergonomic grate lever. Using a wire brush or scraper, remove debris from the catch basin frame.



2

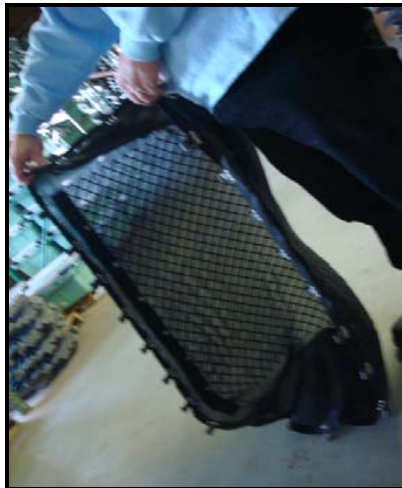
Measure and note the catch basin frame clear space length, width and depth. Remove any obstructions or debris that will interfere with the installed basin.



3

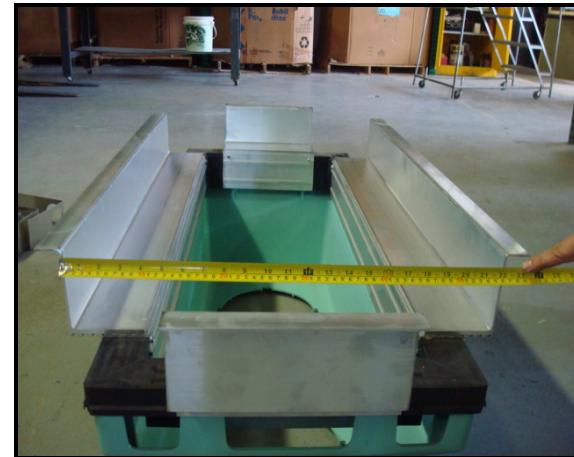
(StormSacks Only)

Prior to installing the flanges, attach each StormSack metal hook to the frame hangers as shown.



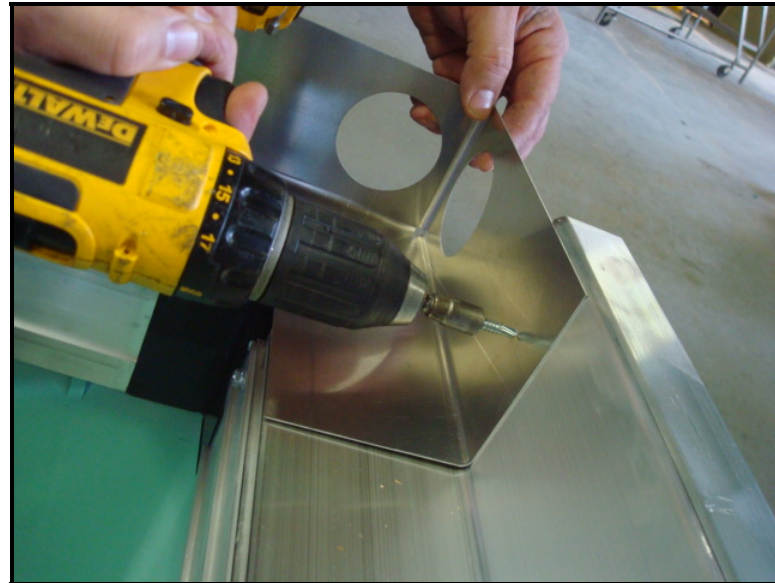
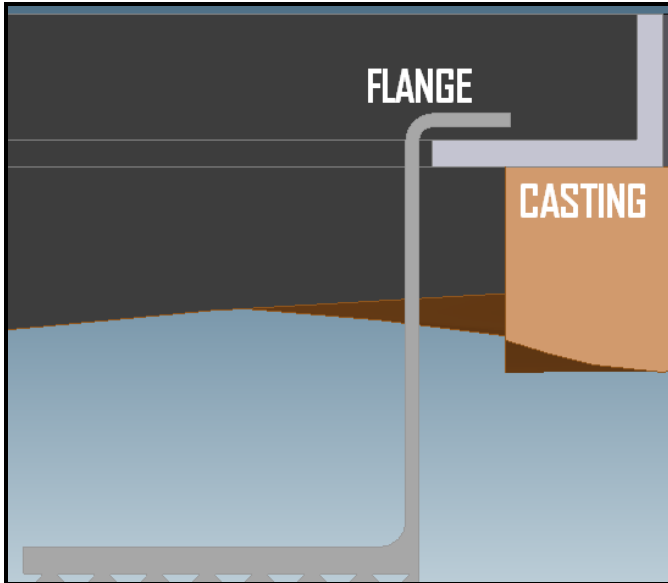
4

Using the clear space measurements noted in step 2 and the dovetail adjustment feature of each flange; adjust the length and width of the support flanges such that the StormBasin/StormSack will securely rest on the grate support of the casting. As shown below, the inside (flange-to-flange) distance should be equal the previously measured clear space for both length and width.



5

While Installing the StormBasin, the support flanges should rest on the storm grate support ledge. Once installed on the Casting, locate and screw the aluminum corner fillers into the side of the drop flange material as demonstrated below. Do not over tighten.



6

(StormBasins Only)

Install the Storm Basin cartridge(s) into the unit and lock in place with a quarter-turn in the clockwise direction. Note: Use the colored ring to turn and lock, **not** the top grid or foam material.



7

Carefully replace the basin grate ensuring that it is properly seated on the frame. The installation is now complete.

