

THIS DOCUMENT IS THE PROPERTY OF FABCO INDUSTRIES AND IS CONVEYED WITH THE EXPRESS CONDITION THAT IT AND THE INFORMATION CONTAINED IN IT ARE NOT TO BE USED, DISCLOSED, OR REPRODUCED IN WHOLE OR IN PART, FOR ANY PURPOSE WITHOUT THE EXPRESS WRITTEN CONSENT OF FABCO INDUSTRIES, AND THAT NO RIGHT IS GRANTED TO DISCLOSE OR SO USE ANY INFORMATION CONTAINED IN SAID DOCUMENT.

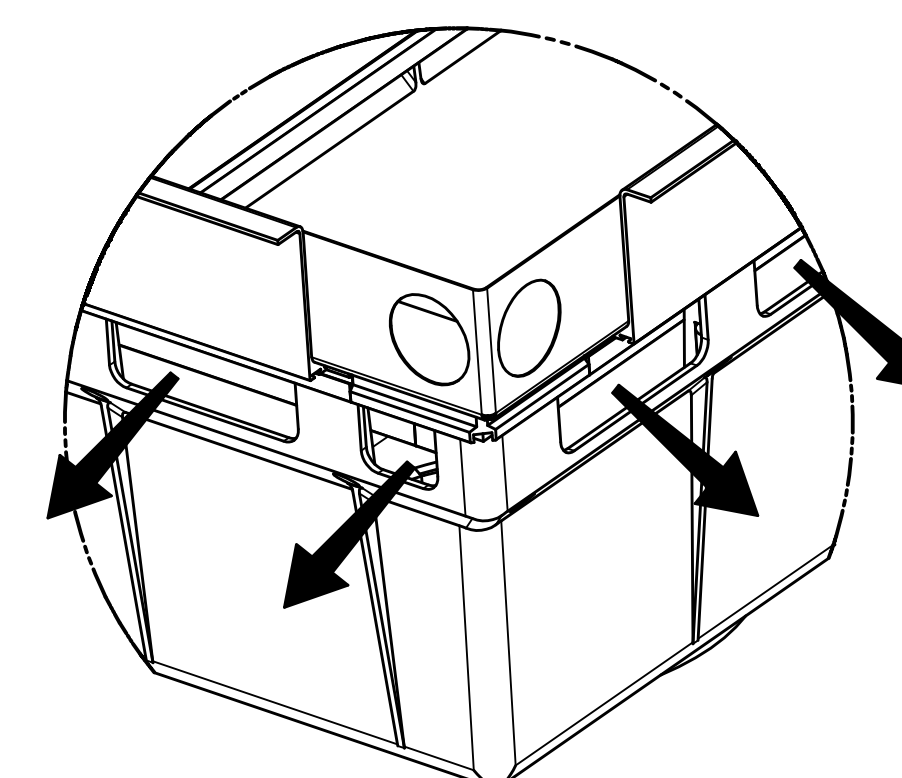
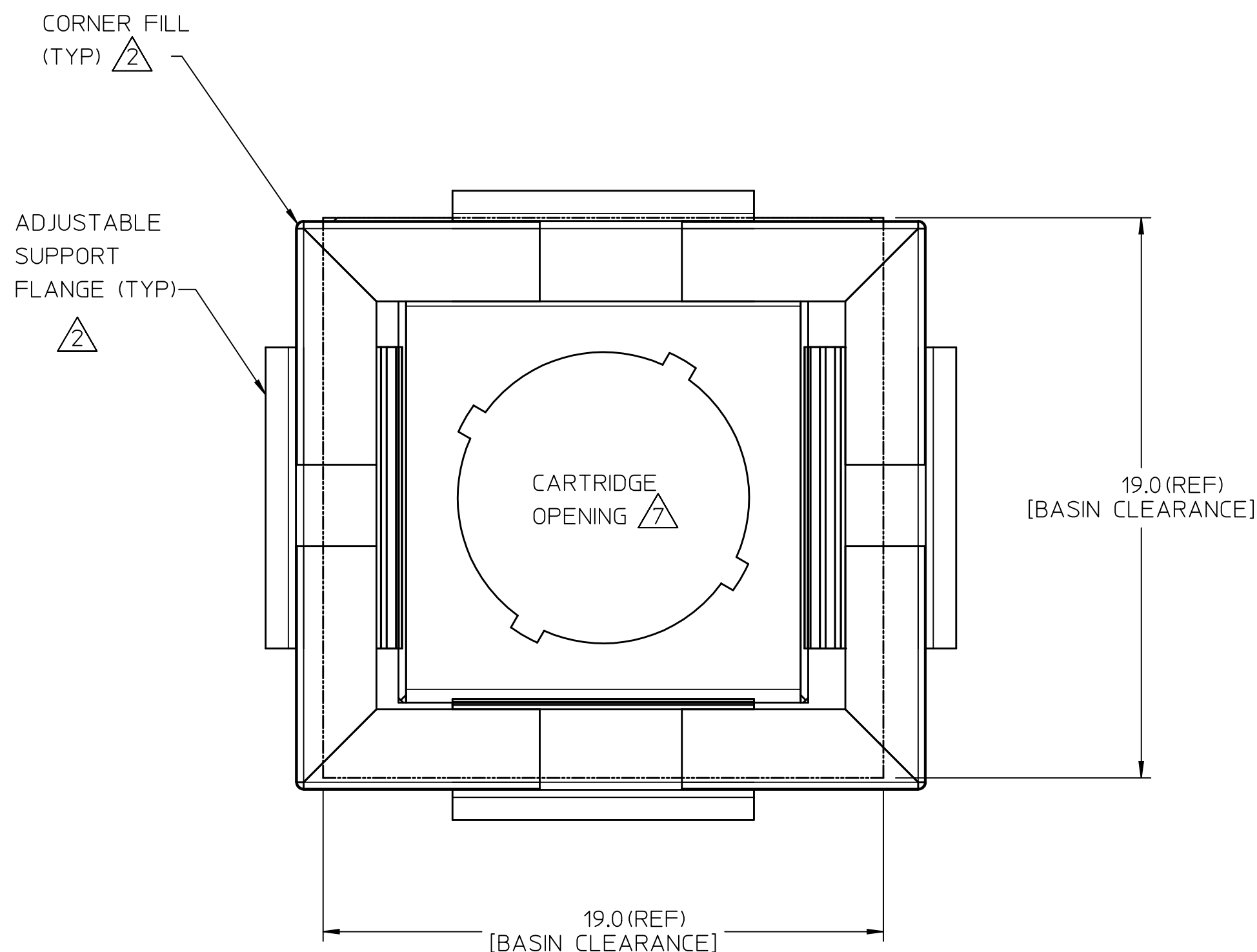
FORM FAB-002

REVISIONS

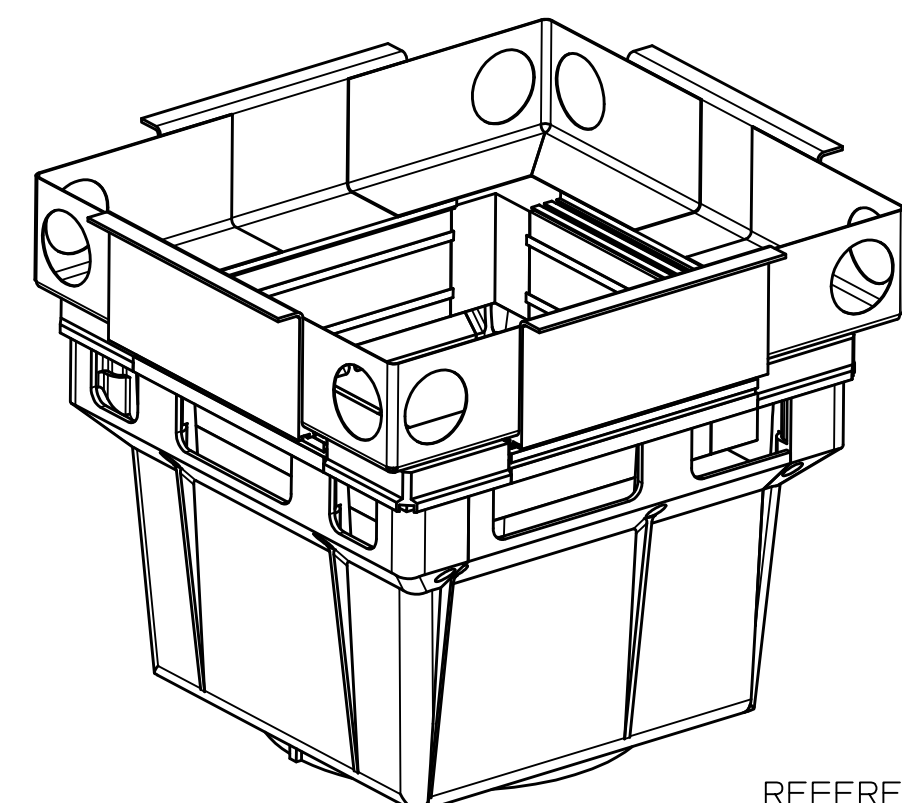
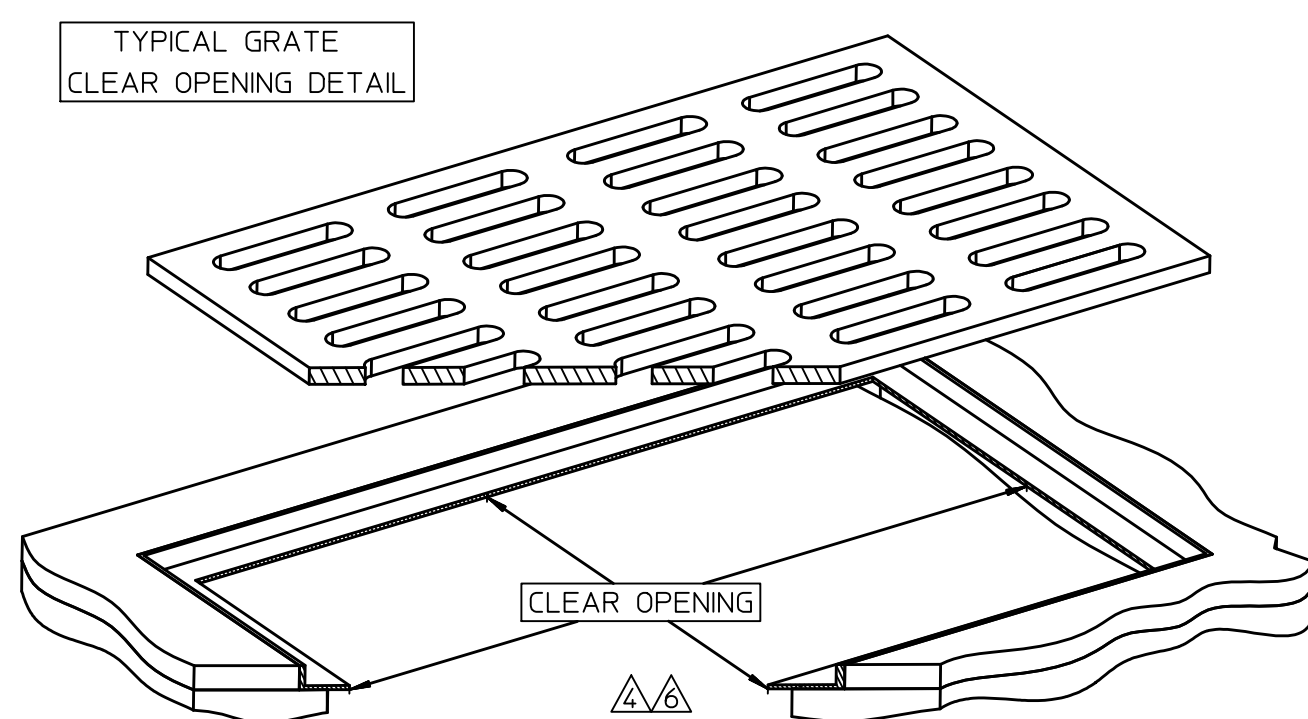
REV	DESCRIPTION	DATE	APPROVED
B	ECN9920-1-000B	5/7/12	

NOTES:

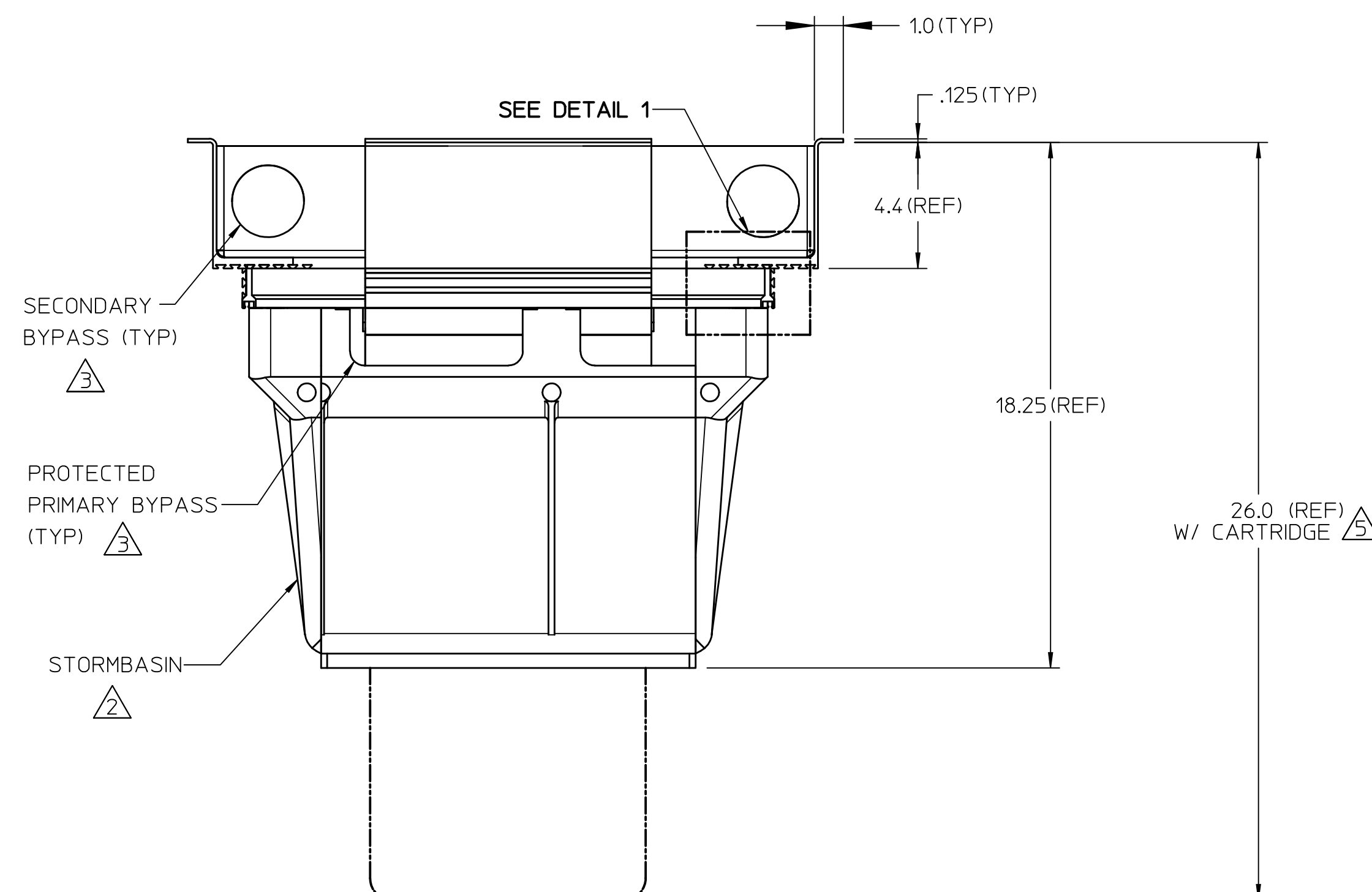
- WEIGHT (EMPTY): 35 LB MAX, NO CARTRIDGES
- MATERIAL:
  - ADJUSTABLE FLANGE AND DEFLECTOR: ALUMINUM ALLOY 6063-T6
  - BASIN (PLASTIC): POLYPROPYLENE POLYETHYLENE COPOLYMER
  - CORNER FILL: ALUMINUM ALLOY: 5052-H32
  - SUPPORT HARDWARE: CRES 300 SERIES
- PERFORMANCE CHARACTERISTICS (TYP):
  - DEBRIS CAPACITY: 1.8 CU-FT
  - FILTERED FLOW RATE (CLEAN STANDARD CARTRIDGE): 115 GPM (0.25 CFS)
  - PRIMARY BYPASS FLOW RATE: 979 GPM (2.2 CFS)
  - SECONDARY BYPASS FLOW RATE: 328 GPM (0.73 CFS)
  - TOTAL BYPASS FLOW RATE: 1308 GPM (2.9 CFS)
- CLEAR OPENING RANGE (0.5 INCH INCREMENTS):
  - MINIMUM SIZE: 19.0 X 19.0
  - MAXIMUM SIZE: 24.0 X 24.0
- RECOMMENDED MINIMUM VAULT DEPTH 2-IN BELOW CARTRIDGE
- TYPICAL INSTALLATION: REMOVE STORM GRATE, MEASURE CATCH BASIN FRAME CLEAR OPENING AND ADJUST FLANGES TO REST ON GRATE SUPPORT LEDGE. INSTALL STORMBASIN INSERT AND VERIFY THE ADJUSTABLE FLANGES ARE SECURELY RESTING ON THE GRATE SUPPORT LEDGES. INSTALL CORNER FILLER PIECES. REINSTALL THE STORM GRATE DIRECTLY ON THE STORMBASIN SUPPORT FLANGES.
- USE ONLY WITH FABCO REPLACEABLE MEDIA CARTRIDGES.



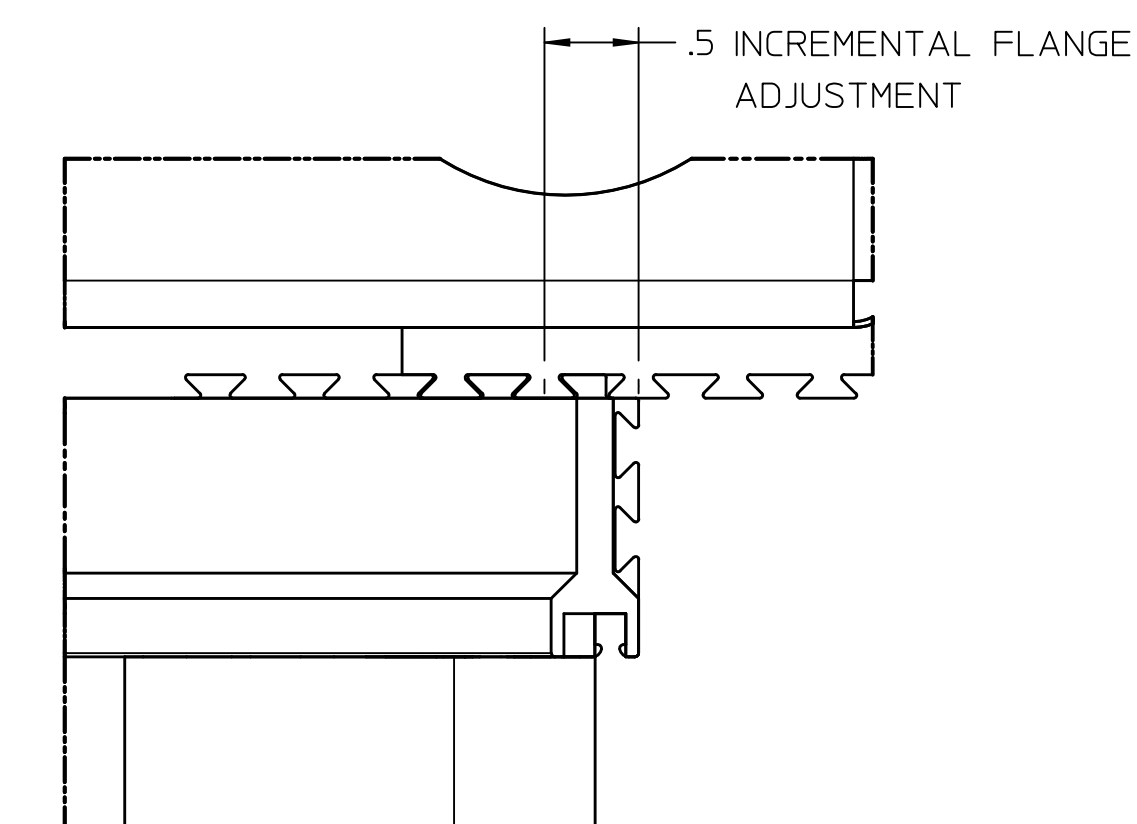
PROTECTED BYPASS, TYPICAL  
(NOT TO SCALE)



REFERENCE VIEW  
NOT TO SCALE



DOVETAIL ADJUSTMENT FEATURE  
(TYPICAL EACH FLANGE)



DETAIL 1  
SCALE 1:1

NO	QTY	PART NUMBER	DESCRIPTION	REMARKS
<b>BILL OF MATERIALS</b>				
UNLESS OTHERWISE SPECIFIED		TOLERANCES:		
REMOVE ALL BURRS		DEC .00 ± .01		
BREAK SHARP EDGES .002 - .020		DEC .000 ± .005		
FILLETS .020 MAX		FRAC ± 1/16		
DIMENSIONS ARE IN INCHES AND		ANGLE ± 2°		
INCLUDE CHEMICALLY APPLIED		Rg FINISH		
OR PLATED FINISHES				
DO NOT SCALE THIS DRAWING				
MATERIAL		SEE NOTES	APVD	
MODEL LINK		9920-1_ASSY1	FABCO INDUSTRIES, INC. 66 CENTRAL AVENUE FARMINGDALE, NY 11735	
CUSTOMER		TOWN OF WOLFEBORO DPW	WWW.FABCO-INDUSTRIES.COM	
APPROVALS		DATE		
DWN R.MARSTON		7/16/11		
CHKR			TITLE STORMBASIN, 19X19 CS	
ENGR J.PETERS		7/16/11		
SIZE	CAGE CODE	DWG NO	REV	
D	1P8A4	9920-1-000	B	
SCALE	1/2	WT	SHEET	1 OF 1