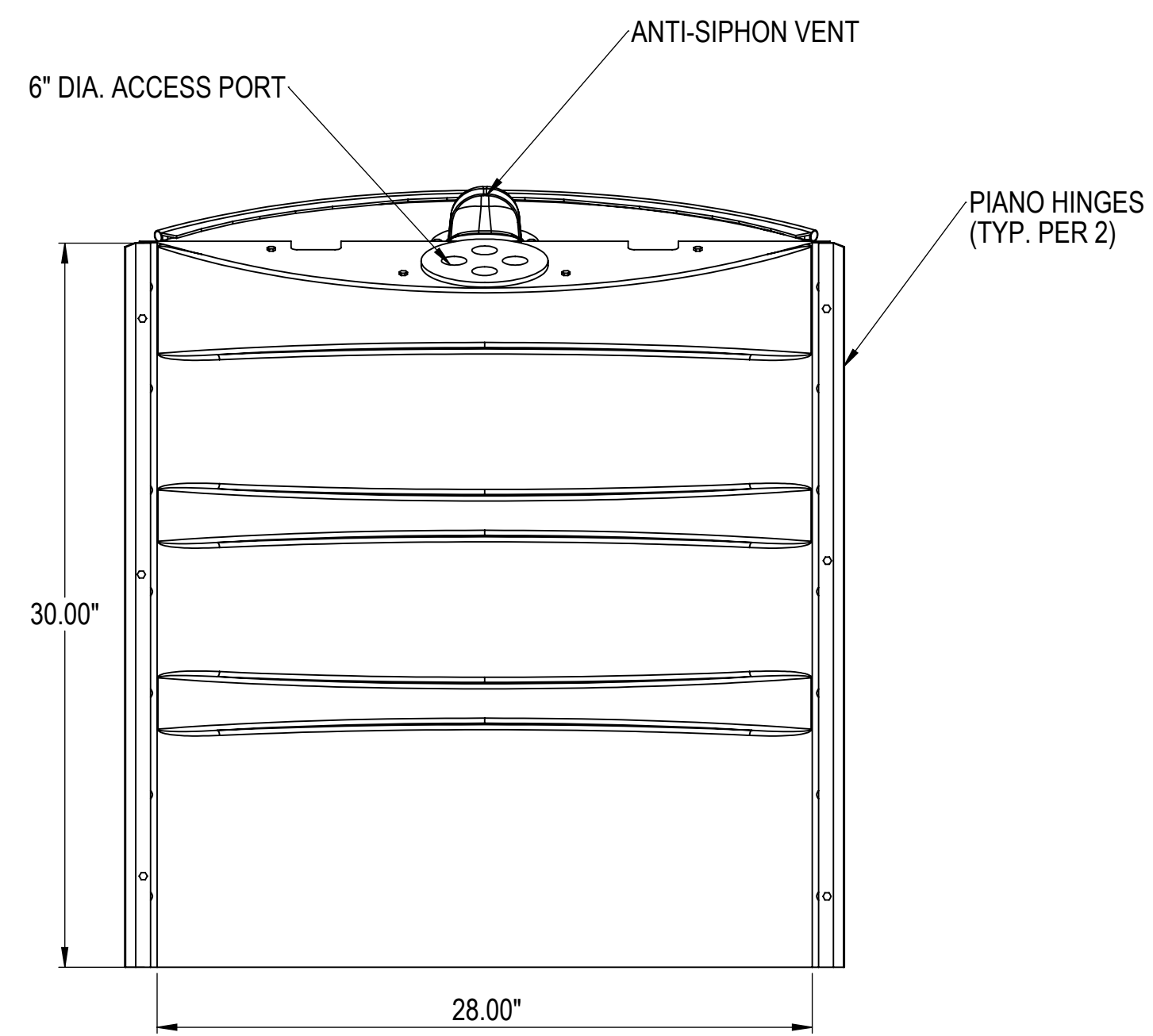


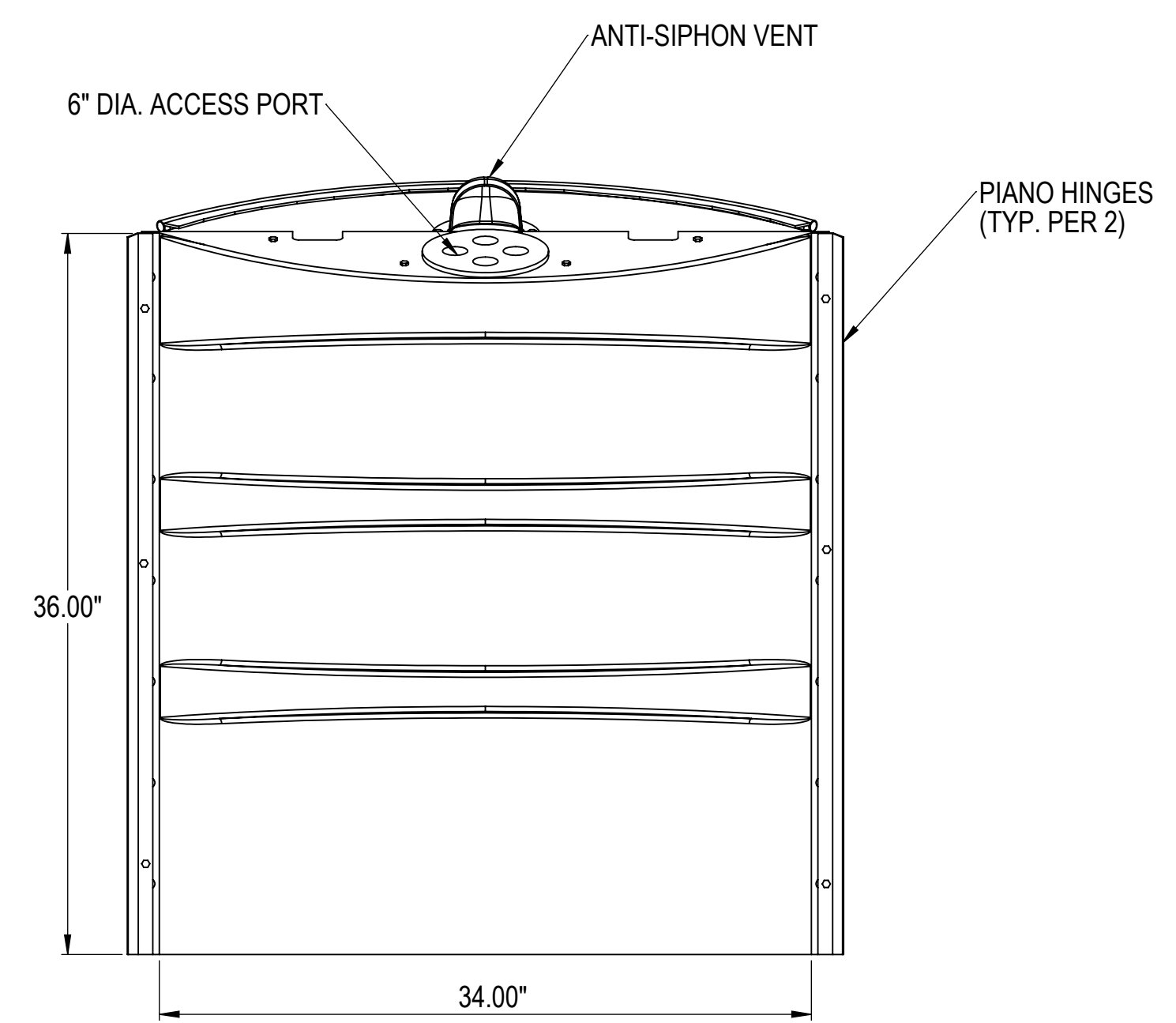
1

TRASH GUARD HOOD MODEL TGHOOX23 DETAIL



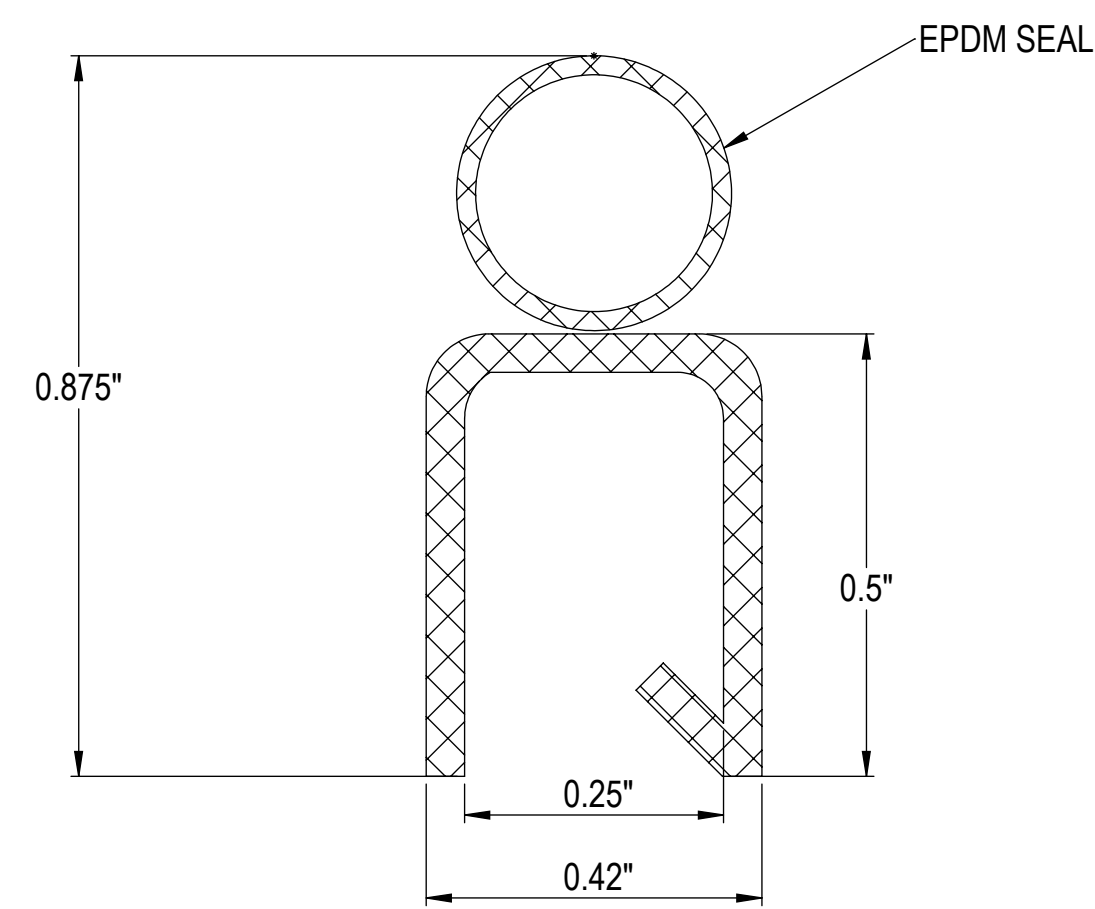
2

TRASH GUARD HOOD MODEL TGHOOX28 DETAIL



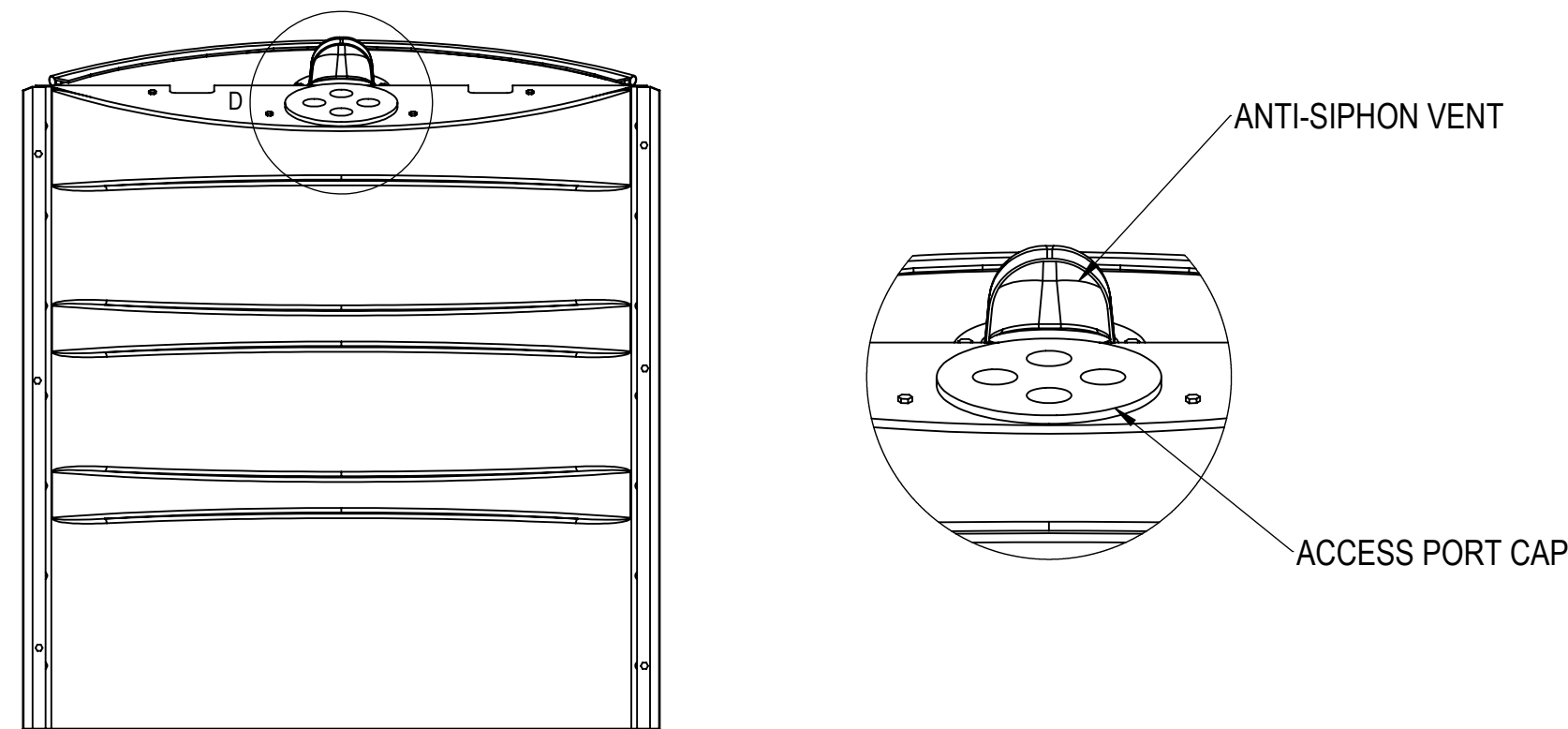
3

TRASH GUARD HOOD MODEL TGHOOX34 DETAIL



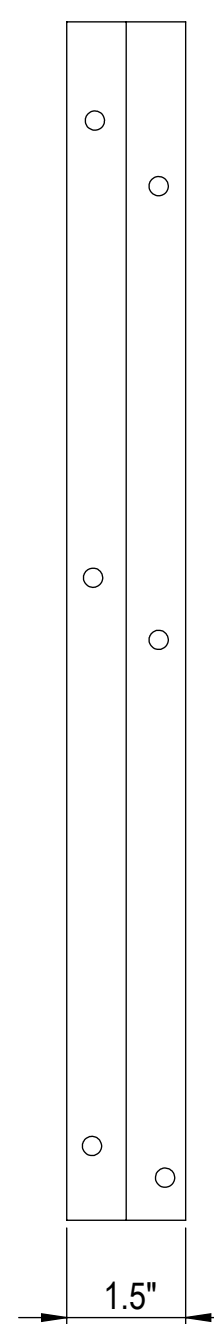
4

TRIM SEAL DETAIL



5

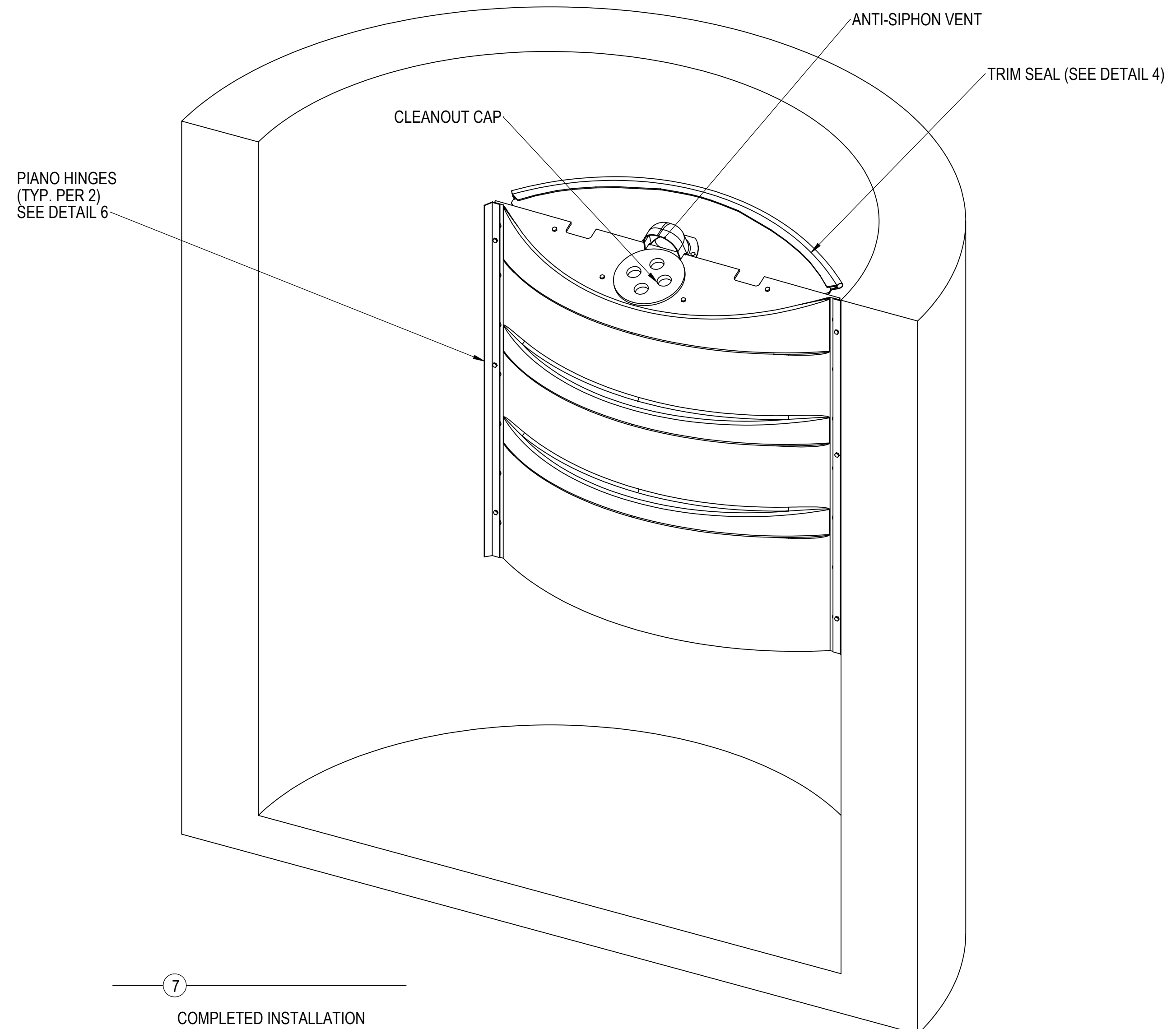
ACCESS PORT & ANTI-SIPHON VENT DETAIL



HINGE LENGTHS:
TGHOOX23 - 24\"/>

6

PIANO HINGE DETAIL



7

COMPLETED INSTALLATION

DATE	REVISION
3/24/17	DRAFT
5/8/17	INITIAL RELEASE

FOR ADDITIONAL INFORMATION, PLEASE CONTACT:
ACF ENVIRONMENTAL 1-800-448-3636
WWW.ACFENVIRONMENTAL.COM



TRASH GUARD HOOD
STANDARD ROUND INSTALLATION

DATE

5/8/17

SHEET NO.

TGHR-1