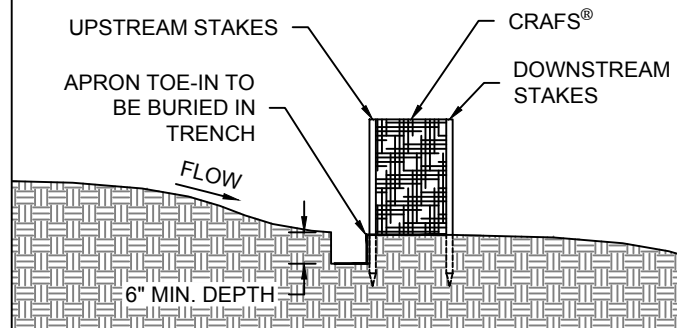
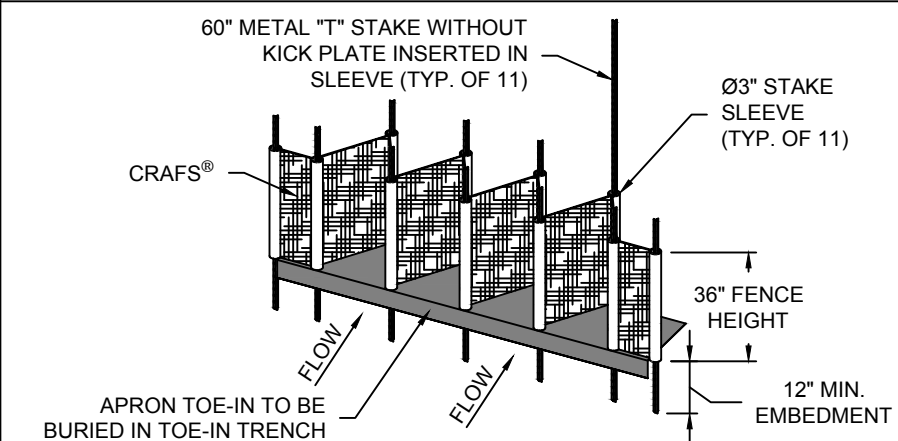


PERSPECTIVE VIEW

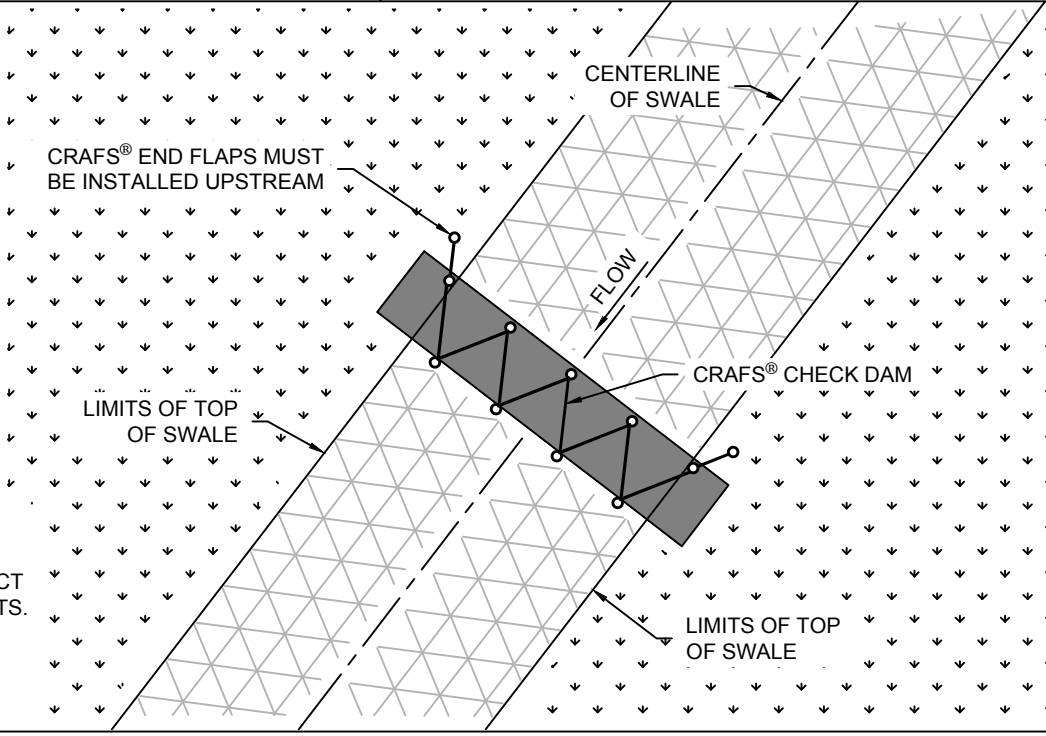
NOTE: METAL "T" STAKES NOT ATTACHED OR INCLUDED IN KIT. TYPE TO BE SPECIFIED BY PROJECT ENGINEER.



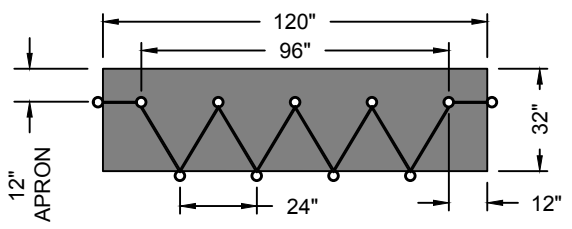
PROFILE VIEW



ISOMETRIC VIEW



TOP VIEW



NOTE: CUSTOM SIZES ARE AVAILABLE TO ACCOMMODATE PROJECT SPECIFIC REQUIREMENTS. CONTACT YOUR LOCAL ACF REPRESENTATIVE FOR DETAILS.



**CRAFS® - CHECK DAM (96")**  
CORRUGATED RETENTION AND FILTRATION SYSTEM  
PATENT # 9677243

12/06/2017

FOR ADDITIONAL INFORMATION PLEASE CONTACT: ACF ENVIRONMENTAL, 1-800-448-3636, [www.acfenvironmental.com](http://www.acfenvironmental.com)