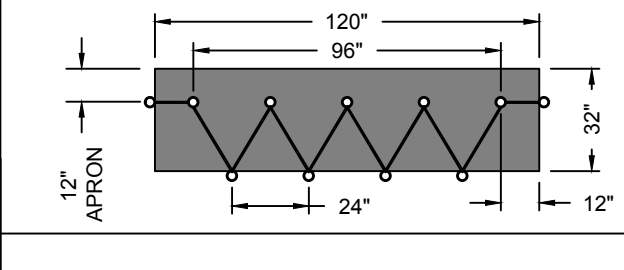
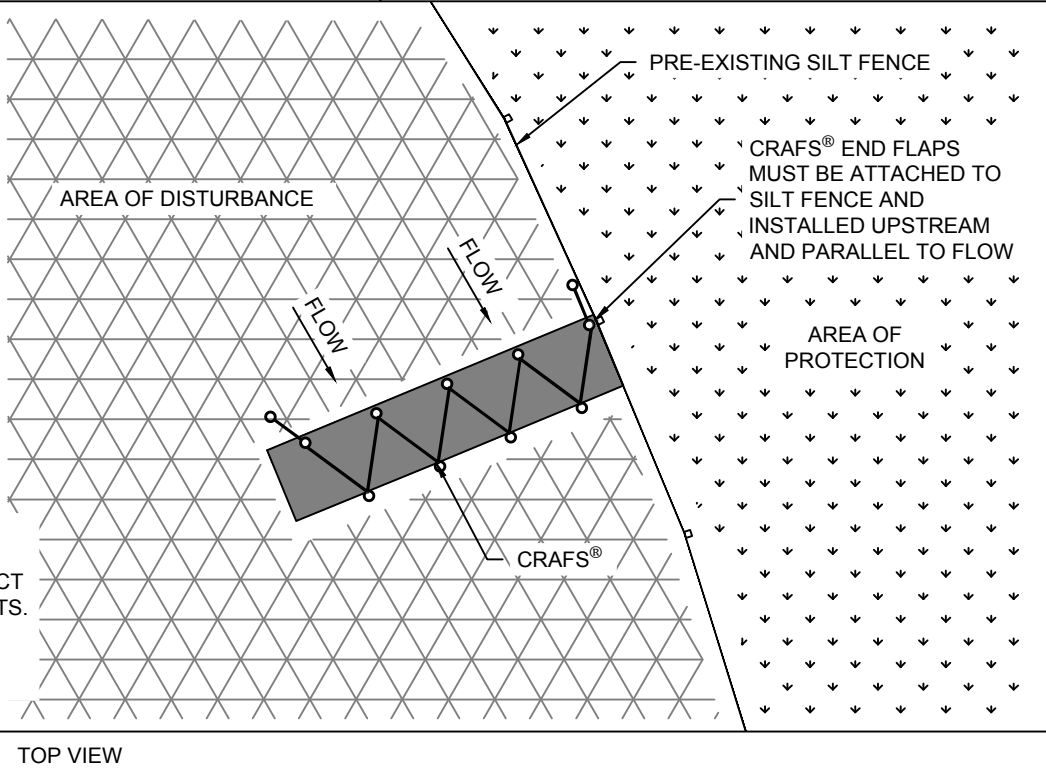
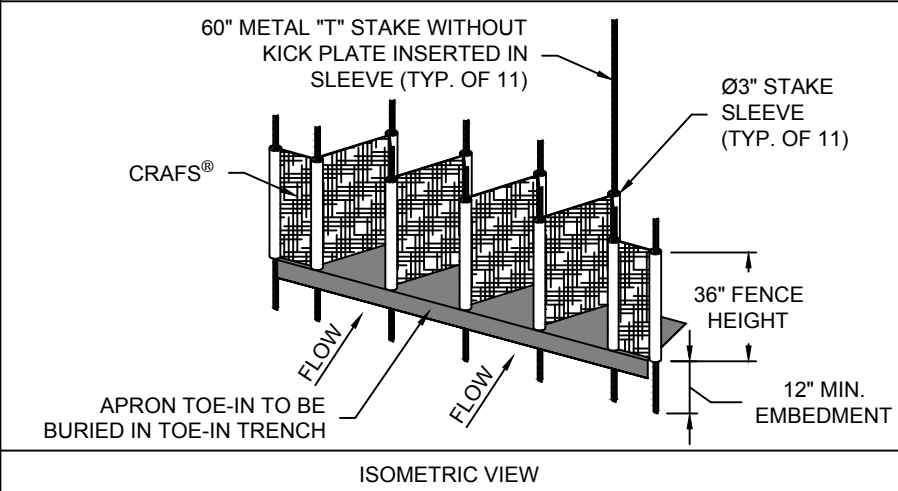
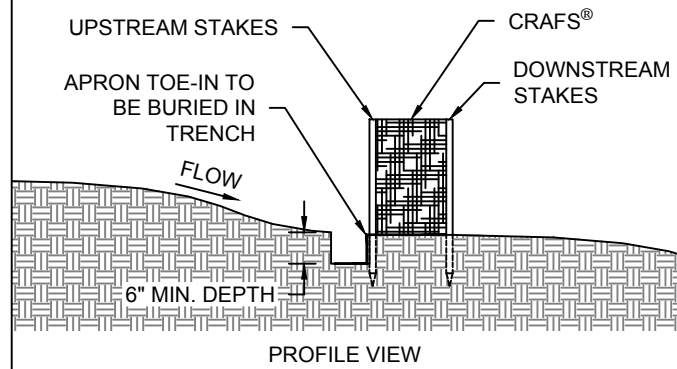


NOTE: METAL "T" STAKES NOT ATTACHED OR INCLUDED IN KIT. TYPE TO BE SPECIFIED BY PROJECT ENGINEER.



NOTE: CUSTOM SIZES ARE AVAILABLE TO ACCOMMODATE PROJECT SPECIFIC REQUIREMENTS. CONTACT YOUR LOCAL ACF REPRESENTATIVE FOR DETAILS.



CRAFS® - J-HOOK (96")
CORRUGATED RETENTION AND FILTRATION SYSTEM
PATENT # 9677243

12/06/2017

FOR ADDITIONAL INFORMATION PLEASE CONTACT: ACF ENVIRONMENTAL, 1-800-448-3636, www.acfenvironmental.com