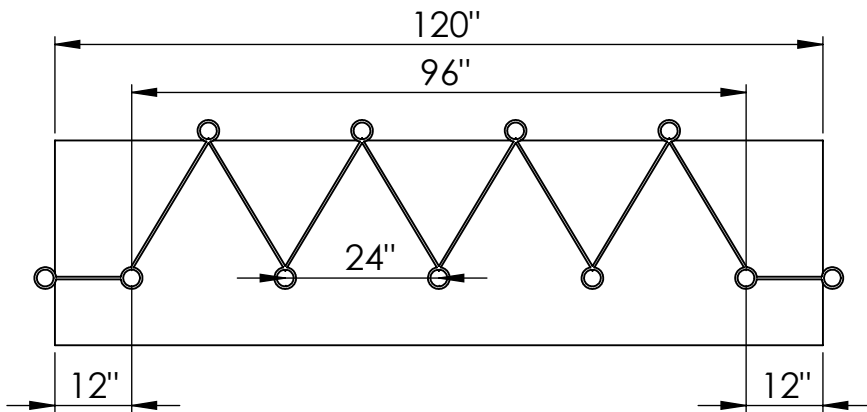
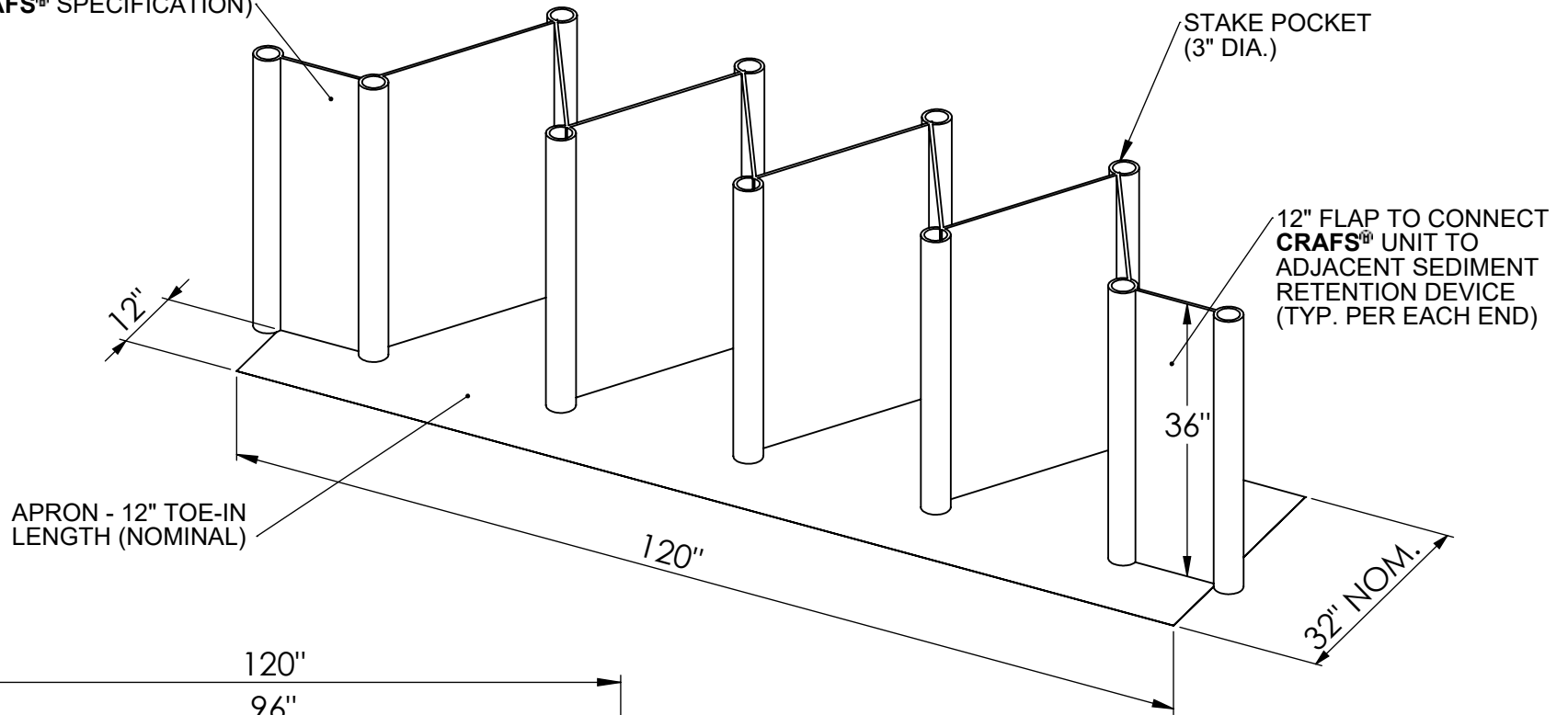


VERTICAL FILTER FABRIC
(SEE **CRAFS**[®] SPECIFICATION)



- NOTES:**
- 1) RECOMMENDED VERTICAL SUPPORT STAKES ARE 60" METAL "T" STAKES WITHOUT KICK PLATE ATTACHED AT BASE
 - 2) STANDARD **CRAFS**[®] UNIT HEIGHT IS 36"



CORPORATE OFFICE:
2831 CARDWELL ROAD
RICHMOND, VA 23234
800-448-3636

CORRUGATED RETENTION AND FILTRATION SYSTEM (**CRAFS**[®])
US PATENT #9677243

FOR ADDITIONAL INFORMATION PLEASE CONTACT: ACF ENVIRONMENTAL, 800-448-3636, WWW.ACFENVIRONMENTAL.COM