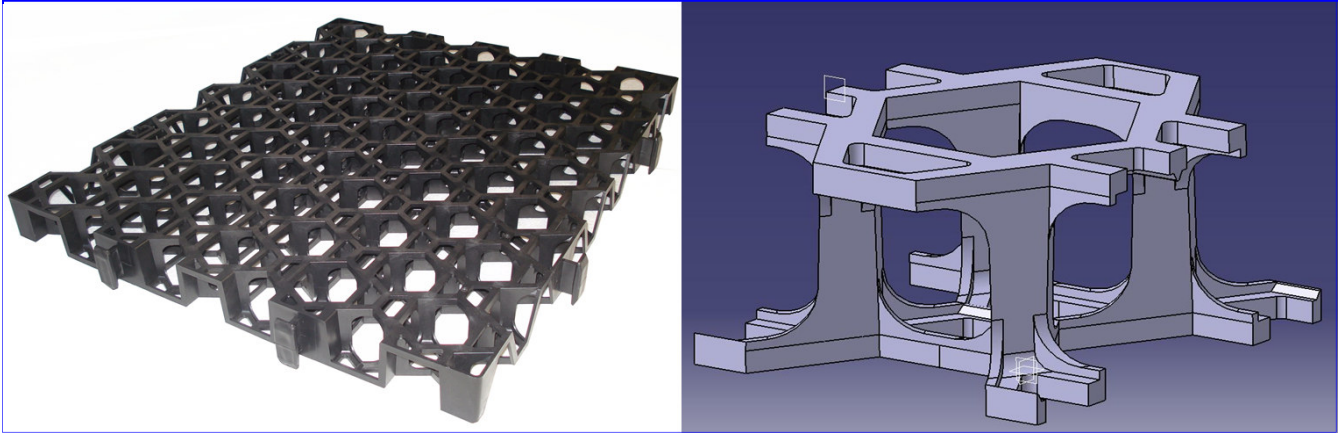


GrassCell Specifications

Product Photo



Technical

Specifications

Item	Metric	Unit	English	Unit
Width	500.00	mm	19.68	inches
Length	600.00	mm	23.62	inches
Height	50.00	mm	1.96	inches
Area per Piece	0.30	square meters	3.23	square feet
Unit Weight	6.00	kg / sm	1.24	lbs / sf
Surface Open Area	> 90	%	> 90	%
Internal Void Area	> 95	%	> 95	%
Base Material	100% Recycled Polypropylene			
Biological & Chemical Resistance	Unaffected by mold, algae, soil-born chemicals, bacteria and bitumen			
Service Temperature	-10 to 85	degrees Celcius	-14 to 185	degrees Farhenheit
Compressive Strength (Unfilled)	225.00	t / sm	320.02	psi
Compressive Strength (Filled)	4,465.7	t / sm	6,351.7	psi

Note: GrassCell Product and Systems are Design Registered or Design Registration Pending

Safety Factors: Engineers, designers and geotechnical engineers should design and calculate safety factors to a serviceable limited state to suit specific project requirements.

Disclaimer: All information provided in this publication is correct to the best knowledge of the company and is given in good faith. This information is intended only as a general guide. No responsibility can be accepted for any errors, omissions or incorrect assumptions. As each project is unique, and as ACF Environmental and its distributors have no direct control over the methods employed by the user in specifying, installing or supervising the use of this product, no responsibility can be accepted by ACF or its distributors. Users should satisfy themselves as to the suitability of the product for their specific purpose.



800-448-3636

www.acfenvironmental.com