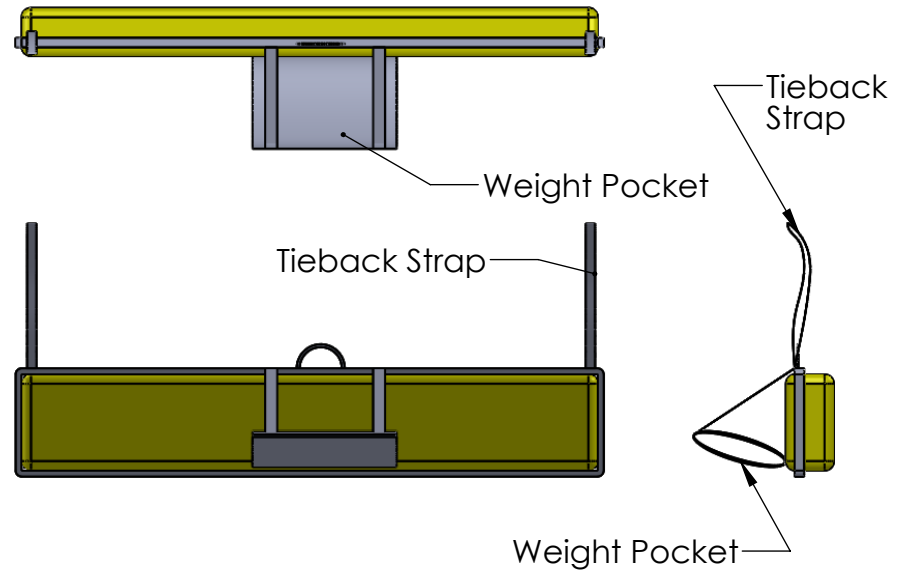


Top View



PROPRIETARY AND CONFIDENTIAL

THE INFORMATION CONTAINED IN THIS DRAWING IS THE SOLE PROPERTY OF ACF ENVIRONMENTAL. ANY REPRODUCTION IN PART OR AS A WHOLE WITHOUT THE WRITTEN PERMISSION OF ACF ENVIRONMENTAL IS PROHIBITED.

		UNLESS OTHERWISE SPECIFIED:		NAME	DATE	TITLE: Gutter Gator Slim
		DIMENSIONS ARE IN INCHES TOLERANCES: FRACTIONAL ± ANGULAR: MACH ± BEND ± TWO PLACE DECIMAL ± THREE PLACE DECIMAL ±		DRAWN	JT 07/10/14	
		INTERPRET GEOMETRIC TOLERANCING PER:		CHECKED	AB 07/10/14	
		MATERIAL		ENG APPR.		
		FINISH		MFG APPR.		
NEXT ASSY	USED ON			Q.A.		
APPLICATION		DO NOT SCALE DRAWING		COMMENTS:		
				SIZE	DWG. NO. GGSLIM	REV
				SCALE: 1:8		SHEET 1 OF 1